

BELLEVUE GAS INSERT BY



# REFRESH & REKINDLE



# RENOVATING COMFORT



Bellevue 32 fireplace gas insert shown with Highliner Decorative Trim.

## CUSTOMIZE THE LOOK

The Bellevue fireplace insert is an ideal solution for upgrading your hearth without the nuisance and cost of a complete fireplace overhaul. Fine-tune your design with one of three Decorative Trims that complement a range of aesthetics. Glowing embers add to the authenticity of the smoldering scene and the optional hand-held remote control will allow for effortless operation.

### DECORATIVE TRIMS



Standard



Frontier



Highliner



Iron Rail

### CONTROL YOUR COMFORT



Whether you prefer a wireless wall-mounted control or an optional hand-held remote, operating an IronStrike gas stove couldn't be easier. A knowledgeable IronStrike dealer can help you choose the perfect control system for your needs.

# BELLEVUE 32



The natural peaks and valleys of the yellow flames are captivating as they frolic between lightly charred pieces of timber. The circulating blower pushes the heat into your room with vigor and persistence. The Bellevue provides heating efficiency and easy installation for a true value.

**BTU INPUT NG:** 16,000 - 28,000

**BTU INPUT LP:** 14,000 - 25,000

**HEATING CAPACITY\*:** 500 – 1,800 square feet

**AFUE EFFICIENCY:** 70% (NG) 67% (LP)

**ENERGUIDE EFFICIENCY:** 57% (NG) 61% (LP)

**STANDARD BLOWER:** 140-CFM

**REMOTE CONTROL:** Optional

Bellevue™ shown with Frontier Decorative Trim.



## SPECIFICATIONS

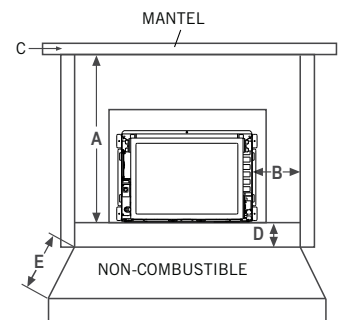
### DIMENSIONS

Width	Front	31-5/8"
	Back/Rear	21"
Height	Overall	19-3/8"
	Depth	Overall
To Centerline (CL) of 3" Flue Collar		9-3/4"

### CLEARANCES

#### MINIMUM CLEARANCES TO COMBUSTIBLES

A	Mantel	32"
B	Side wall	10"
C	Mantel Depth	4"
C	Vertical distance from base of appliance to hearth extension	0"   10"
E	Minimum horizontal distance from front of appliance	2"   0"



### INSERT SURROUNDS

Required Full Front Facade	25" H X 41" W OR 32" H X 43" W
*Optional 4-Sided Surround Backer - Able to be Trimmed	38" H X 46" W

\* The 4-Sided Surround is compatible for use with the medium size (41" x 25") Full Front Facade but not the large size Full Front Facade.

### MINIMUM FIREPLACE OPENING

Front Width	32"
Height	19-1/2"
Rear Width	22"
Depth	16"



© 2016 Innovative Hearth Products

785690M 10/16

Visit us online



[IronStrike.us.com](http://IronStrike.us.com)

