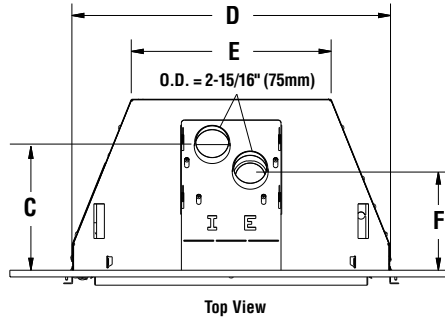


Madison Park™ MPI34 / MPI34CD

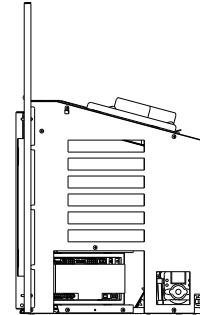
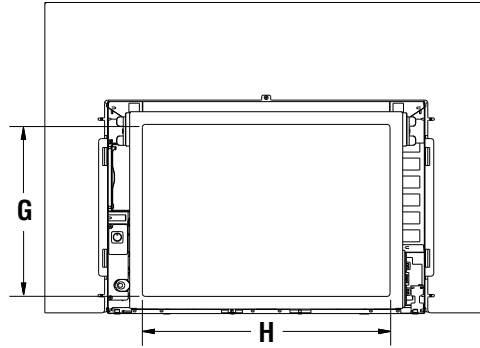
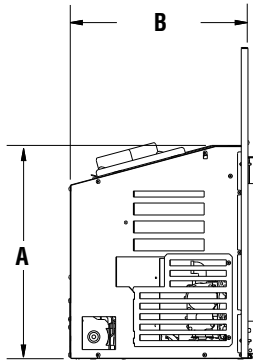
Appliance Specifications

DIRECT VENT FIREPLACE INSERT



Input (BTU) - Electronic Models		
Fuel	MPI34	MPI34CD
	Input Rate (BTU / HR)	
Nat. Gas	Hi 38,000	Hi 38,000
	Lo 25,000	Lo 25,000
LP Gas	Hi 35,500	Hi 35,500
	Lo 27,000	Lo 27,000

Insert Dimensions



Left Side View

Front View

Right Side View

Model	A	B	C	D	E	F	G	H
MPI34 and MPI34CD	23-7/8" (606mm)	16-1/4" (413mm)	12-1/4" (311mm)	33-5/8" (854mm)	23" (584mm)	10" (254mm)	19-7/8" (505mm)	27-3/4" (705mm)

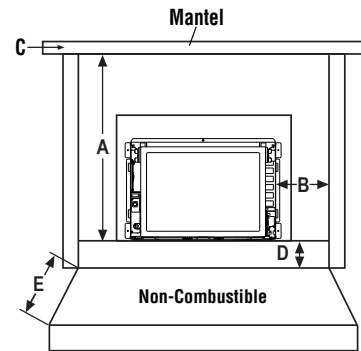
Insert Clearances

MINIMUM FIREPLACE SIZES REQUIRED	MPI34 / MPI34CD
Front Opening Width.....	34" (864mm)
Height	24" (610mm)
Rear Width	24" (610mm)
Depth	16" (406mm)

MINIMUM CLEARANCES TO COMBUSTIBLES	
A = Mantel	36" (914mm)
B = Side Wall.....	4" (102mm)
C = Mantel Depth.....	10" (254mm)

HEARTH PROTECTION		
D = Vertical Distance from base of appliance to Hearth Extension.....	0" (0mm)	4" (102mm)
E = Minimum Horizontal Distance from Front of Appliance	10" (254mm)	0" (0mm)

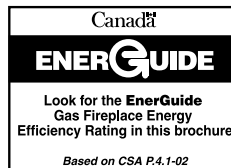
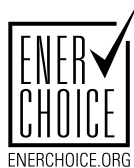
MINIMUM CLEARANCES



Listing Information



Report No. 14-098



	Efficiency	
	Natural Gas	Propane Gas
AFUE	MPI34 - 67% MPI34CD - 68%	MPI34 - 73% MPI34CD - 70%
EnerGuide P4	MPI34 - 64% MPI34CD - 66%	MPI34 - 68% MPI34CD - 70%

** Efficiency varies slightly with various pipe configurations.

This insert has been tested and certified to ANSI Z21.88 / CSA 2.33 Standard for Vented Gas Fireplace Heater and CGA 2.17-M91 and UL 307B Gas Burning Heating Appliances for Manufactured (Mobile) Homes in both USA and Canada.

NOTE: Diagrams, illustrations and photographs are not to scale – consult installation instructions. Product designs, materials, dimensions, specifications, colors and prices are subject to change or discontinuance without notice.



Madison Park™ MPI34 / MPI34CD

Product Reference Information			
Cat. No.	Description	Ship. Weight	Ship. Volume
F2134	MPI34, Madison Park™ Traditional 34, Large Insert	118 lb.	18.17 cu. ft.
F2135	MPI34CD, Madison Park Contemporary 34, Large Insert	100 lb.	14.78 cu. ft.

Vent Kits

Simpson Dura Vent -

Flex Liner 3" X 35' - #3DFA-35

Adaptor w/ Flashing - #46DVA-GK

Termination Cap - #46DVA-VCH With #460 DVA-VWG

Termination Cap - #460DVA-VC

Co-Linear Kit w/ 3" X 35' Flex Liner (Intake and Exhaust), Adaptor, Flashing and Termination Cap - #46DVA-CL33

Selkirk -

Termination Cap - #4DT-VT

Vent Adaptor - #4DT-CTB

Venting - 3' x 35' #AF35-03

Venting - 3' x 25' # AF25-03

Venting - 3' x 15' # AF15-03

Firebox Liner Kits - One Required

Champagne
Merlot
Black Porcelain
Black Painted

Facade Kits

Contemporary
Santa Fe
Black Deco
Full Front

Surround Kits - One Required

3 Sided (41" W x 31" H, 46" W x 31" H, 41" W x 34" H, 46" W x 34" H)
4 Sided - Trimmable (46" W x 42" H)

Glass Media Kits for Contemporary Model MPI34CD only

Blue Glass Media
Black Glass Media
Smoke Glass Media
Amber Gold Glass Media
White Glass Media

Options

Typical Installation

The existing fireplace chimneys may take various contours which the flexible liners will accommodate. However, keep the flexible liner STRAIGHT and avoid bending. When at maximum vertical height, standing pilot should be used for correct operation.

Liner Requirements:

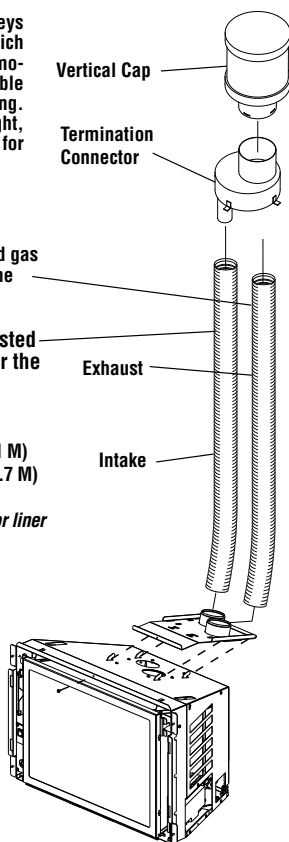
Use 3" (76 mm) diameter listed gas vent liner (UL1777 ONLY) for the EXHAUST

Use 3" (76 mm) diameter listed liner (UL 181 or UL1777) for the AIR INTAKE.

Vertical Height Min. = 10 ft. (3.1 M)
Vertical height Max. = 35 ft. (10.7 M)

NOTE: Measured from base on unit to the end of the vent pipe or liner

The flexible vent pipe must NOT be allowed to sag behind insert or in fireplace flue.



Standard Features

- Standard full-featured remote.
- Electronic ignition with optional continuous pilot mode.
- Battery back-up in case of power outage
- Standard 150-CFM variable-speed blower delivers warm, consistent heat