

Grandview™ GV300

Appliance Specifications - Freestanding Wood Stoves

Product Reference Information			
Cat. No.	Description	Ship. Weight	Ship. Volume
H8958	Grandview™ 300 Wood-Burning Stove	445 lb.	20.09 cu. ft.

Specifications

Stove Pipe Diameter Single Wall or Double Wall	6" (152 mm)
Log Length	17" W x 21" D Max. (341.8mm W x 533mm D Max.)
Firebox	18.2" W x 21.23" D x 13" H Max. (462.28mm W x 539.25mm D x 330.2mm H Max.) Volume = 2.91 cu. ft.
Glass Viewing Area	16-1/2" W x 11-5/16" H (419mm W x 287mm H)
EPA Test Load: Cord Wood: ①	29,181 BTUs/hr. 100,000 BTUs/hr.
Maximum Burn Times ①	14 hours
Heating Capacity ①	2000 to 3000 sq. ft.

Listing

The Grandview™ Model GV300 woodstove is safety listed with the following agency:

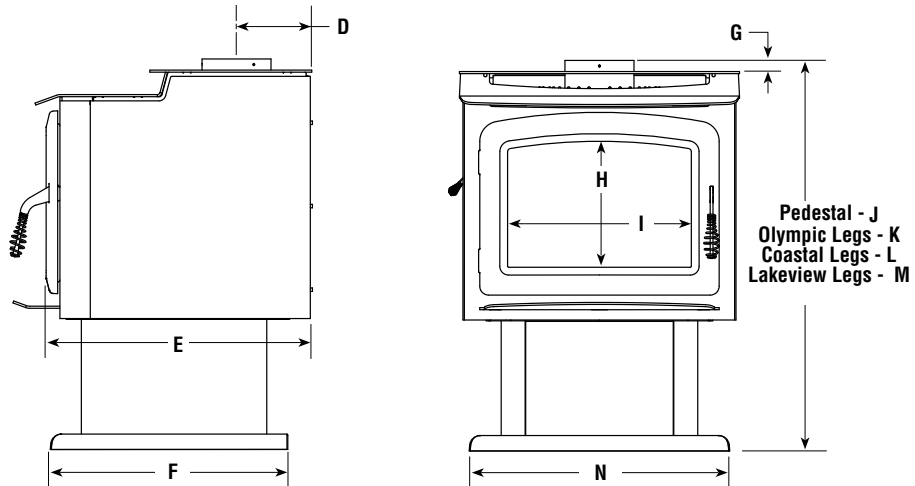
- PFS Corporation, Tested to UL 1482, ULC S627



Report No. 14-194

EPA certification test emission value 3.1 g/hr per 2015 standard

Dimensions



A	B	C	D	E	F	G	H	I	J	K	L	M	N
26-1/2" (673mm)	27-3/8" (695mm)	29-5/16" (744mm)	6-5/8" (169mm)	26-3/16" (666mm)	21-7/16" (544mm)	1-1/16" (27mm)	16-1/2" (419mm)	11-5/16" (287mm)	36-1/8 (917mm)	34-5/8 (880mm)	33-5/8 (854mm)	33-15/16" (862mm)	23-1/8 (588mm)

NOTES:

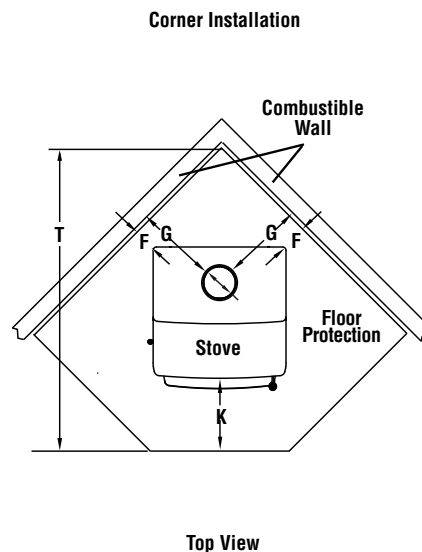
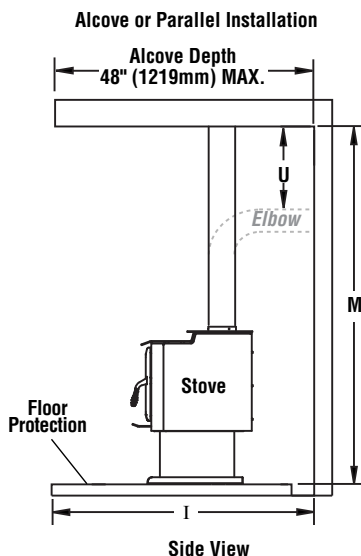
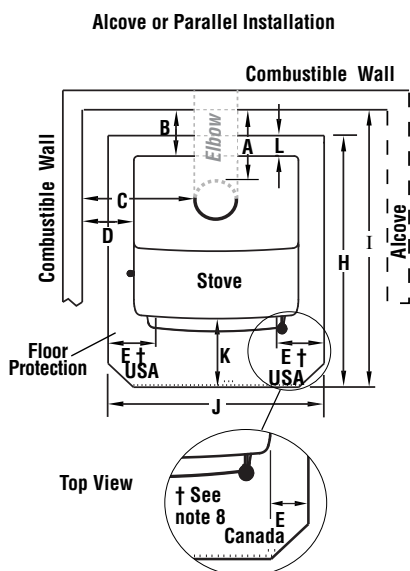
- Dimensions shown are approximations only (+/- 1/4")
- Diagrams, illustrations and photographs are not to scale – consult installation instructions. Product designs, materials, dimensions, specifications, colors and prices are subject to change or discontinuance without notice.
- Approved for residential and alcove installations.
- Optional Kits Available:
Door Trim Kit
Blower
Outside Air Kit
Deco Trim
Leg's (choice of three style of legs in black painted, brushed nickel or nickel finish)
Pedestal Base
Ash Drawer for legs or for pedestal

① Square-foot heating capacities and burn times are approximations only. Actual performance may vary depending upon home design and insulation, ceiling heights, climate, condition and type of wood used, appliance location, burn rate, accessories chosen, chimney installation and how the appliance is operated.

Notes

Grandview™ GV300

Clearances



USA (inches)



PIPE	INSTALLATION	A (3)	B (1)	C (3)	D (1)	E (8)	F (1,4)	G(3,4)	H (2)	I (6)	J (2)	K (7)	L (5)	M	T (6)	U
Single Wall	Residential-Vertical Vent	16	12-3/8	25-1/8	15	8	6	17	41-1/8	53-1/2	33	16	0	84	62-7/8	N/A
Single Wall	Residential-With Elbow	19-5/8	16	26-1/8	16	8	6	17	41-1/8	57-1/8	33	16	0	84	62-7/8	19
Double Wall	Residential or Mobile Home-Vertical Vent	11-5/8	8	23-1/8	13	8	5	16	41-1/8	49-1/8	33	16	0	84	61-7/16	N/A
Double Wall	Residential or Mobile Home-With Elbow	11-5/8	8	24-1/8	14	8	5	16	41-1/8	49-1/8	33	16	0	84	61-7/16	10
Double Wall	Alcove-Vertical Vent	13-5/8	10	26-1/8	16	8	N/A	N/A	41-1/8	51-1/8	33	16	0	72	N/A	N/A

CANADA (millimeters)



PIPE	INSTALLATION	A (3)	B (1)	C (3)	D (1)	E (8)	F (1,4)	G(3,4)	H (2)	I (6)	J (2)	K (7)	L (5)	M	T (6)	U
Single Wall	Residential-Vertical Vent	406	314	635	381	200	152	432	1299	1410	1045	450	200	2134	1648	N/A
Single Wall	Residential-With Elbow	499	406	664	406	200	152	432	1299	1502	1045	450	200	2134	1648	483
Double Wall	Residential or Mobile Home-Vertical Vent	295	203	587	330	200	127	406	1299	1299	1045	450	200	2134	1611	N/A
Double Wall	Residential or Mobile Home-With Elbow	295	203	613	356	200	127	406	1299	1299	1045	450	200	2134	1611	254
Double Wall	Alcove-Vertical Vent	346	254	664	406	200	N/A	N/A	1299	1349	1045	450	200	1829	N/A	N/A

Footnotes:

- 1- These dimensions to the stove body are for reference only. Actual distances should be measured from the stove's flue collar.
- 2- Minimum noncombustible hearth pad dimensions.
- 3- Clearances to connector pipe shall be measured from the flue collar of the stove.
- 4- Not applicable to alcove installations.
- 5- In corner applications, when installed at minimum back wall clearances, the required floor protection is dimensioned off the back plane of the stove, therefore the floor protection required off the back corners (at a 45 degree angle) only needs to extend to the wall. This situation will only occur in CANADA installations.
- 6- Reference dimension only, to assist in planning the installation.
- 7- Measured from front of floor protection to the front of firebox.
- 8- USA=8" (200mm) from door opening, Canada=8" (200mm) from sides and back of unit.