

Legacy™ Model SS260T-B



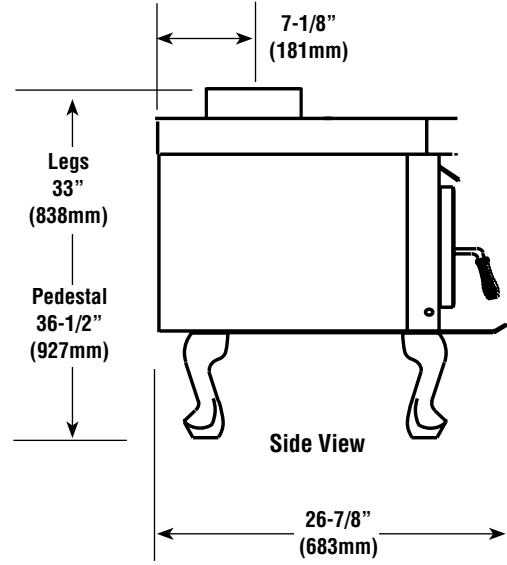
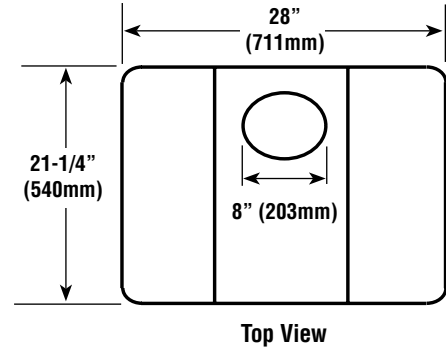
Appliance Specifications - Freestanding Wood Stove

Product Reference Information			
Cat. No.	Description	Ship. Weight	Ship. Volume
H7887	SS260T-B, Wood Stove, T Top, Traditional Black Door, Nickel Nameplate	446 lb.	21.3 cu. ft.

Specifications

- Stove Pipe Diameter**
Single Wall or Double Wall 8" (203 mm) or optional 6" (152 mm)*
- Log Length** 22-1/2" Max. (572mm)
- Height On Legs** 33" (838mm)
Height On Pedestal 36-1/2" (927mm)
- Width** 28" (711mm)
- Depth (door opening to rear shield)** 21-1/4" (540mm)
- Back to Flue Center** 7-1/8" (181mm)
- Firebox (2.6 cu. ft)** 22-1/2" W x 17-1/2" D (572mm W x 445mm D)
- Maximum Output ①** 79,000 BTUs/hr.
- Maximum Burn Times ①** 7–11 hrs.
- Oregon DEQ Efficiency** 68.2%
- Heating Capacity ①** 1,600–2,500 sq. ft.
- * Requires P/N 71134 reducer (8" to 6")

Dimensions



Notes

NOTES:

- Dimensions shown are approximations only (+/- 1/4")
- Diagrams, illustrations and photographs are not to scale – consult installation instructions. Product designs, materials, dimensions, specifications, colors and prices are subject to change or discontinuance without notice.
- Approved for residential, manufactured home, and alcove installations.
- Optional Kits Available:
Faceplate Kits (choice of black, gold, brushed gold, nickel or brushed nickel)
Thermally Activated Blower Kit (700-CFM)
Outside Air Kit
Leg Base (choice of black, gold, nickel, brushed gold or brushed nickel)
Pedestal Base (choice of standard or with ash drawer)
Heat Shield (required with leg base)

① Square-foot heating capacities and burn times are approximations only. Actual performance may vary depending upon home design and insulation, ceiling heights, climate, condition and type of wood used, appliance location, burn rate, accessories chosen, chimney installation and how the appliance is operated.

Listing

The Legacy™ Model S260 wood stoves are safety listed with the following agency:

- Listing Agency: PFS Corporation. Listed to UL 1482, ULC S627



Report No. 14-184

EPA certification test emission value 4.1 g/hr per 2015 standard



Legacy™ Model SS260T-B

Clearances - Refer to Diagrams A, B and C

PIPE	INSTALLATION	A	B (1)	C	D (1)	E†	F (1,4)
8" Single Wall	Residential	23" (584mm)	20-1/2" (521mm)	28" (711mm)	18" (450mm)	8" 200mm	13" (330mm)
6" Single Wall	Residential	18" (450mm)	15-1/2" (394mm)	26" (660mm)	16" (406mm)	8" 200mm	11" (279mm)
8" Double Wall	Residential or Mobile Home*	16" (406mm)	13-1/2" (343mm)	25" (635mm)	15" (381mm)	8" 200mm	12" (305mm)
8" Double Wall	Alcove - Residential or Mobile Home*	16" (406mm)	28" (711mm)	28" (711mm)	18" (450mm)	8" 200mm	N/A
6" Double Wall	Residential or Alcove or Mobile Home*	12" (305mm)	23" (584mm)	23" (584mm)	13" (330mm)	8" 200mm	11" (279mm)

PIPE	INSTALLATION	G (4)	H (2)	J (2)	K	L	M
8" Single Wall	Residential	23" (584mm)	USA-37-1/4" CAN-1200mm	USA-38" CAN-1118mm	USA-16" CAN-450mm	USA-0" CAN-200mm	N/A
6" Single Wall	Residential	21" (533mm)	USA-37-1/4" CAN-1200mm	USA-38" CAN-1118mm	USA-16" CAN-450mm	USA-0" CAN-200mm	N/A
8" Double Wall	Residential or Mobile Home*	22" (559mm)	USA-37-1/4" CAN-1200mm	USA-38" CAN-1118mm	USA-16" CAN-450mm	USA-0" CAN-200mm	N/A
8" Double Wall	Alcove - Residential or Mobile Home*	N/A	USA-37-1/4" CAN-1200mm	USA-38" CAN-1118mm	USA-16" CAN-450mm	USA-0" CAN-200mm	84" 2134MM
6" Double Wall	Residential or Alcove or Mobile Home*	21" (533mm)	USA-37-1/4" CAN-1200mm	USA-38" CAN-1118mm	USA-16" CAN-450mm	USA-0" CAN-200mm	84" 2134MM

† USA=8" (200mm) from door opening, Canada=8" (200mm) from sides and back of unit

① Dimensions to Stove Body * Mobile Home - USA only

Diagram A: Top View-Parallel Installation

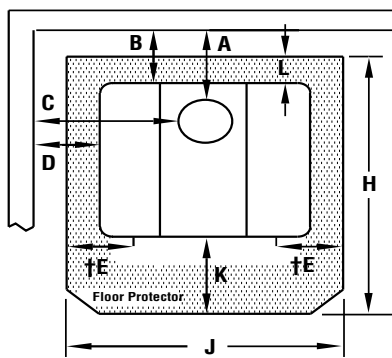
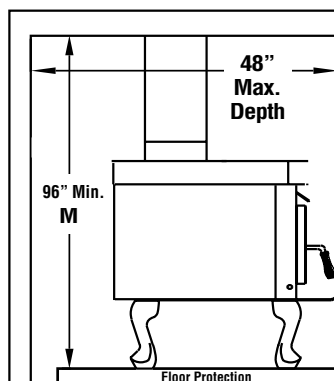


Diagram B: Side View-Alcove Installation



Clearances

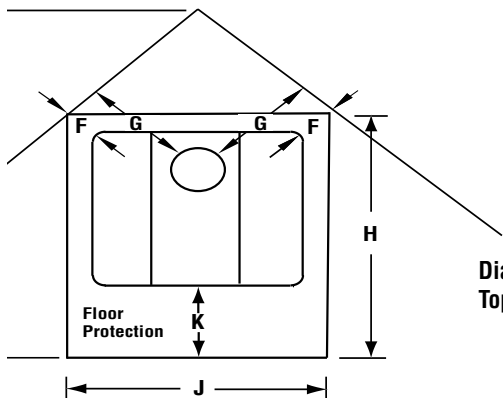


Diagram C:
Top View-Corner Installation

Footnotes:

- 1- These dimensions to the stove body are for reference only. Actual distances should be measured from the stove's flue collar.
- 2- Minimum noncombustible hearth pad dimensions.
- 3- Shield shall be attached to the rear of the stove pipe with a 1" air space and must run from the top of the stove to the ceiling.
- 4- Not applicable to alcove installations.

Clearances to connector pipe shall be measured from the flue collar of the stove.