

# Performer™ Model ST210A-B



## Appliance Specifications - Freestanding Wood Stoves

Product Reference Information			
Cat. No.	Description	Ship. Weight	Ship. Volume
H7886	ST210A-B, Wood Stove, Step Top, Arch Black Door, Nickel Nameplate	442 lb.	20.7 cu. ft.

Specifications

<b>Stove Pipe Diameter</b>	
Single Wall or Double Wall	6" (152 mm)
<b>Log Length</b>	20" Max. (508mm)
<b>Height On Legs</b>	30-3/8" (772mm)
<b>Height On Pedestal</b>	33-7/8" (860mm)
<b>Width</b>	25-1/4" (641mm)
<b>Depth (door opening to rear shield)</b>	21-3/4" (553mm)
<b>Back to Flue Center</b>	6-1/8" (156mm)
<b>Firebox (2.1 cu. ft.)</b>	20"W x 18"D (508mm W x 457mm D)
<b>Maximum Output ❶</b>	76,000 BTUs/hr.
<b>Maximum Burn Times ❶</b>	7-9 hrs.
<b>Oregon DEQ Efficiency</b>	67.1%
<b>Heating Capacity ❶</b>	1,200-2,000 sq. ft.

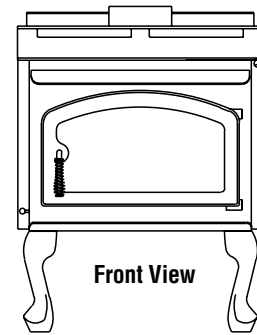
### NOTES:

- Dimensions shown are approximations only (+/- 1/4")
- Diagrams, illustrations and photographs are not to scale – consult installation instructions. Product designs, materials, dimensions, specifications, colors and prices are subject to change or discontinuance without notice.
- Approved for residential, manufactured home, and alcove installations.
- **Optional Kits Available:**  
Faceplate Kits (choice of black, gold, brushed gold, nickel or brushed nickel).  
Thermally Activated Blower Kit (700-CFM)  
Outside Air Kit  
Leg Base (choice of black, gold, nickel, brushed gold or brushed nickel)  
Pedestal Base (choice of standard or with ash drawer)  
Heat Shield (required with leg base)

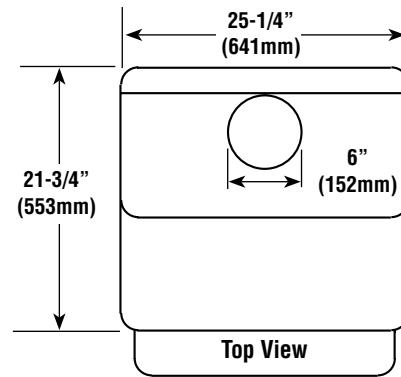
❶ Square-foot heating capacities and burn times are approximations only. Actual performance may vary depending upon home design and insulation, ceiling heights, climate, condition and type of wood used, appliance location, burn rate, accessories chosen, chimney installation and how the appliance is operated.

Notes

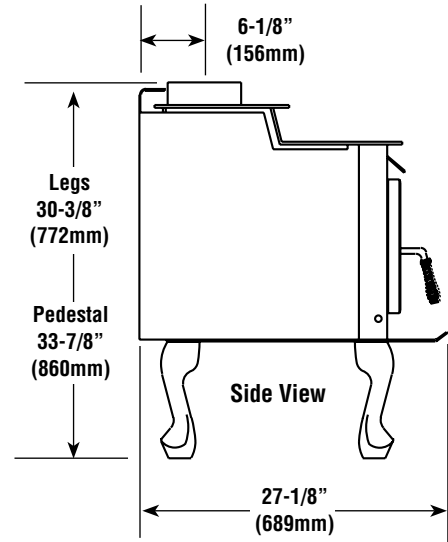
Dimensions



Front View



Top View



Side View

The Performer™ Model ST210A-B wood stoves are safety listed with the following agency:

- Listing Agency: PFS Corporation. Listed to UL 1482, ULC S627

Listing



Report No. 14-185

EPA certification test emission value 4.2 g/hr per 2015 standard



# Performer™ Model ST210A-B

Clearances - Refer to Diagrams A, B & C

PIPE	INSTALLATION	A	B (1)	C	D (1)	E†	F (1,4)
Single Wall	Residential	USA-16" CAN-483mm	13-3/4" 349mm	USA-24" CAN-635mm	14-1/2" 368mm	8" 200mm	9" 229mm
Single w/ Pipe Shield	Residential	USA-10" CAN-330mm	7-3/4" 197mm	USA-24" CAN-635mm	14-1/2" 368mm	8" 200mm	9" 229mm
Double Wall	Residential or Mobile Home*	USA-10" CAN-330mm	7-3/4" 197mm	USA-18" CAN-483mm	8-1/2" 216mm	8" 200mm	6" 152mm
Double Wall	Alcove	USA-10" CAN-330mm	7-3/4" 197mm	USA-21" CAN-559mm	8-1/2" 216mm	8" 200mm	6" 152mm

PIPE	INSTALLATION	G (4)	H (2)	J (2)	K	L	M
Single Wall	Residential or Alcove	USA-18" CAN-533mm	USA-37-3/4" CAN-1213mm	USA-36" CAN-1061mm	USA-16" CAN-450mm	USA 0" CAN-200mm	84" 2134mm
Single w/ Pipe Shield	Residential or Alcove	USA-18" CAN-533mm	USA-37-3/4" CAN-1213mm	USA-36" CAN-1061mm	USA-16" CAN-450mm	USA 0" CAN-200mm	84" 2134mm
Double Wall Air-Cooled	Residential or Alcove or Mobile Home*	USA-15" CAN-450mm	USA-37-3/4" CAN-1213mm	USA-36" CAN-1061mm	USA-16" CAN-450mm	USA 0" CAN-200mm	72" 1829mm
Double Wall	Alcove	N/A	USA-37-3/4" CAN-1213mm	USA-36" CAN-1061mm	USA-16" CAN-450mm	USA 0" CAN-200mm	72" 1829mm

† USA=8" (200mm) from door opening, Canada=8" (200mm) from sides and back of unit

① Dimensions to Stove Body \* Mobile Home - USA only

Diagram A: Top View-Parallel Installation

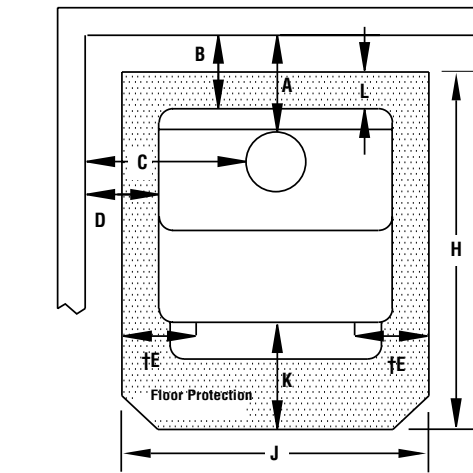
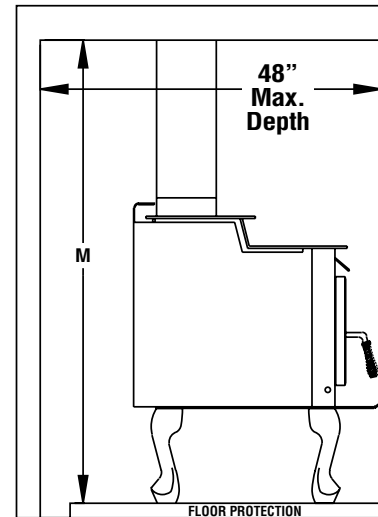


Diagram B: Side View-Alcove Installation



Clearances

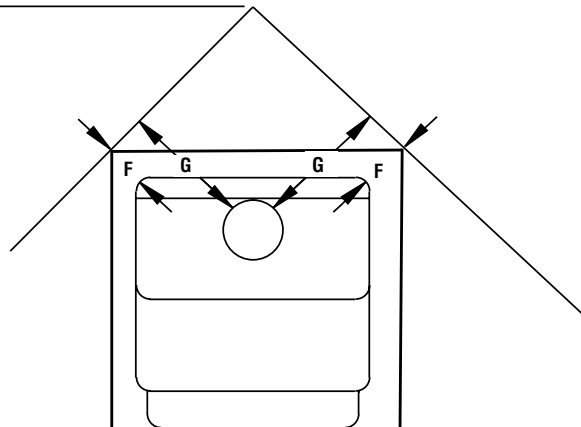


Diagram C: Top View-Corner Installation

Footnotes:

- 1- These dimensions to the stove body are for reference only. Actual distances should be measured from the stove's flue collar.
- 2- Minimum noncombustible hearth pad dimensions.
- 3- Shield shall be attached to the rear of the stove pipe with a 1" air space and must run from the top of the stove to the ceiling.
- 4- Not applicable to alcove installations.

Clearances to connector pipe shall be measured from the flue collar of the stove.