



LADERA

HIGH EFFICIENCY WOOD BURNING FIREPLACES



astria
FIREPLACES®

Traditional
Fireplace
Design Collection





SHOW YOURSELF IN

Create a room that begs you to stick
around, *sit down and relax.*

*FEATURED Ladera fireplace with Surround Kit
and Decorative Keystone option*



FEATURED Ladera fireplace shown without Surround Kit

EXCLUSIVE FEATURES

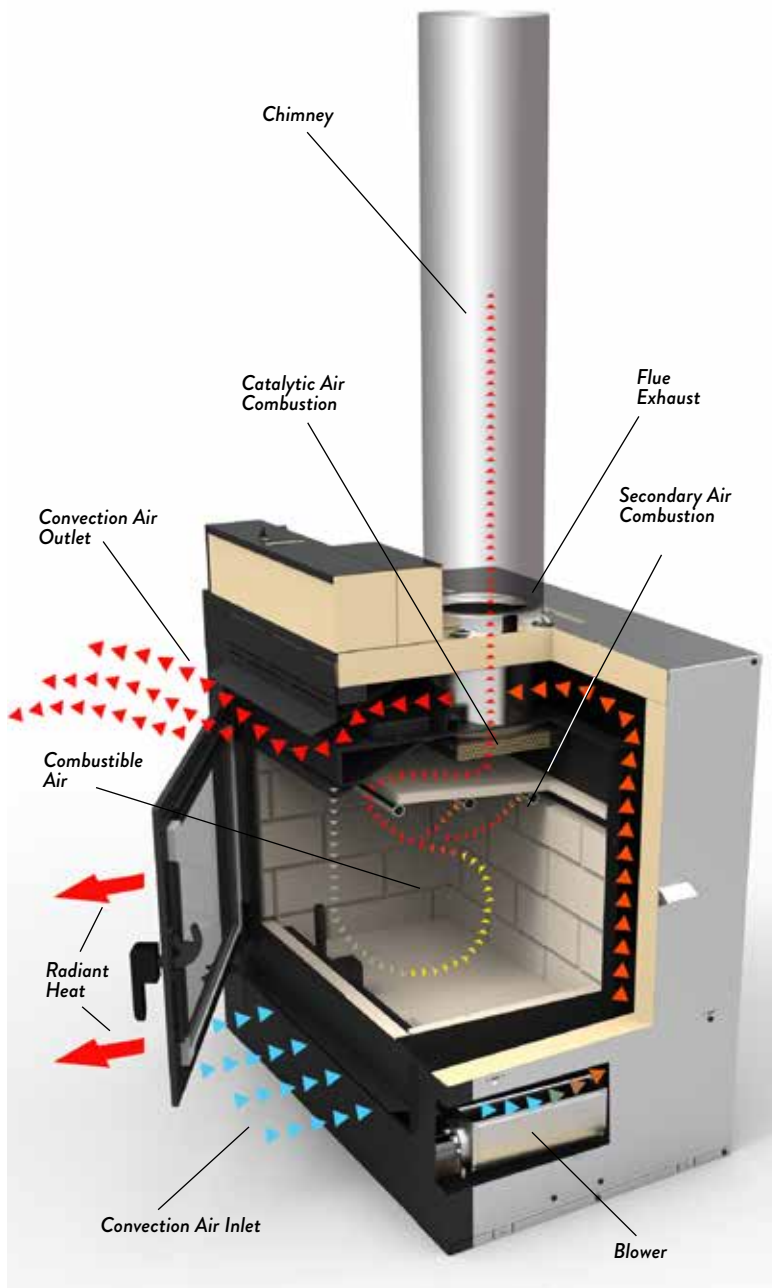
- ◆ High efficiency, EPA certified wood heater
- ◆ Clean and stylish circulating radiant design
- ◆ Ceramic glass opening with air wash system that keeps the glass clean
- ◆ Precision laser-cut heavy door with heat resistant door handle and easy-close latch
- ◆ Primary air combustion control for variable heat output
- ◆ Advanced Combustion System with bypass control for maximum performance
- ◆ 55,000 BTUs and heats up to 1,500 square feet*
- ◆ 175 CFM blower included for gentle air distribution into the room
- ◆ Increased heat distribution with the optional Forced Air Heating Kit
- ◆ 2.0 cubic feet insulated firebox that accepts up to 18" log size for increased performance
- ◆ White stacked, textured, interior panels with integrated ash lip and heavy steel log retainer
- ◆ Durable, high-temperature paint finish
- ◆ Includes insulated outside air kit (required for use)
- ◆ Uses 6" insulated wood-burning chimney
- ◆ Lifetime Limited Warranty

*Square-foot heating capacities are approximations only. Actual performance may vary depending upon home design and insulation, ceiling heights, climate, condition and type of wood used, appliance location, burn rate, accessories chosen, chimney installation and how the appliance is operated.

ADVANCED COMBUSTION SYSTEM

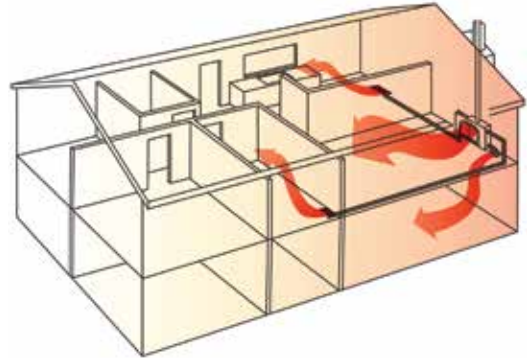
- **FULL CONTROL OF BURN RATE** allows for long overnight burns, a big advantage over single-rate systems
- **COMBINES THE BENEFITS** of both catalytic technology and a secondary air combustion system
- **MAXIMUM COMBUSTION** efficiency produces more heat while reducing emissions
- **EASY ACCESS BYPASS CONTROL** allows smoke direct access to chimney for startup and reloading

ENGINEERING FEATURES AND SPECIFICATIONS



FORCED AIR KIT

Share the warmth. The optional Forced Air Kit provides **up to 25% more heat** from the same fire. This additional heat can be distributed **up to 25 feet**, to three additional rooms, including rooms on a lower floor. The included thermostat allows automatic control of heat distribution for balanced and controlled comfort.



OPTIONS/ACCESSORIES

Cast Iron Surround Kit

Decorative Keystone (Cast Iron Surround Kit Required)

Forced Air Kit for forced air zone heating to multiple locations

Options

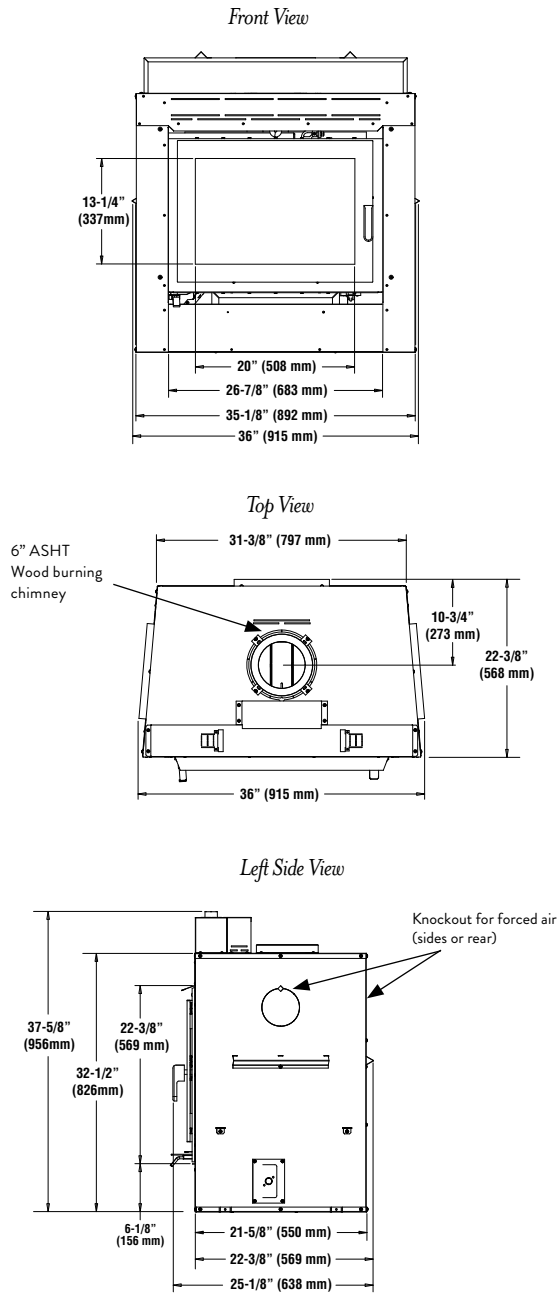


Cast Iron Surround Kit

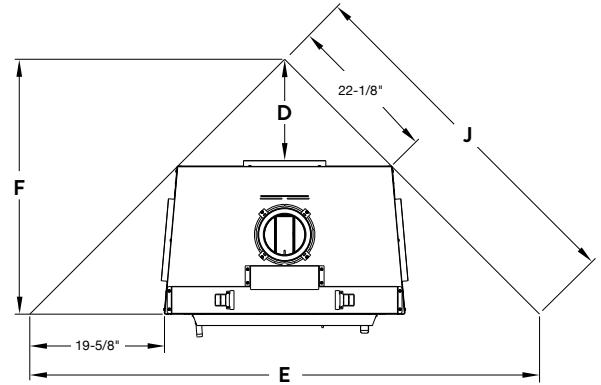
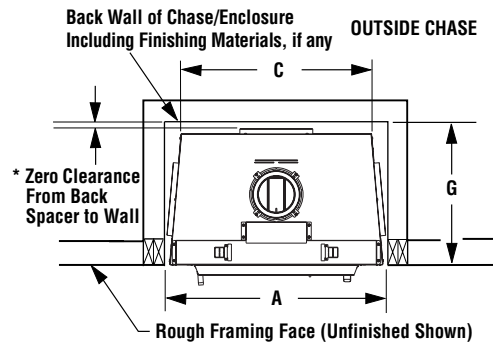


Cast Iron Surround Kit w/Decorative Keystone Option

APPLIANCE SPECIFICATIONS



FRAMING SPECIFICATIONS



A	C	D	E	F	G	J
36"	31-3/8"	14-7/8"	74-3/8"	37-1/4"	*22"	52-5/8"
915mm	797mm	378mm	1889mm	946mm	559mm	1337mm

* Total depth is 22-1/2" (572mm) including the back spacer minus 1/2" (13mm) for drywall to be flush with the facing.

PRODUCT SPECIFICATIONS

Glass Viewing Area (W x H)	20" x 13-1/4"
Firebox Interior (W x H x D+)	19-1/2" x 13-1/4" x 12"
Interior Cubic Feet	2.0
Maximum Log Size	18"
Chimney Size	6"
EPA Rating	1.8 grams/hr
BTU's	55,000
Heating Capacity (up to)	1,500 sq. ft.
Blower	175 CFM
Weight	215 lbs.

+Measured in front of door

IMPORTANT NOTES:

As with any fireplace, this appliance is extremely hot during operation. Read and understand all operating instructions before using this appliance. For further information, consult your dealer.

Local conditions, such as elevation, wind, vent configuration and choice of fuel will affect overall appearance of the fire and heating performance. Performance can also vary with home design and insulation, climate, condition and type of fuel used, appliance location, burn rate, accessories chosen, chimney installation and how the appliance is operated.

Diagrams, illustrations and photographs are not to scale—consult installation instructions. Product designs, materials, dimensions, specifications, colors and prices are subject to change or discontinuance without notice.

astria
FIREPLACES®

© 2018 Innovative Hearth Products

785706M 03/18

AMERICAN
FIREPLACE & BARBEQUE DIST.

10662 Northend Ave. • Ferndale, MI 48220

(248) 547-6777

americanfireplace.net

Visit our showroom. It's worth the drive!

