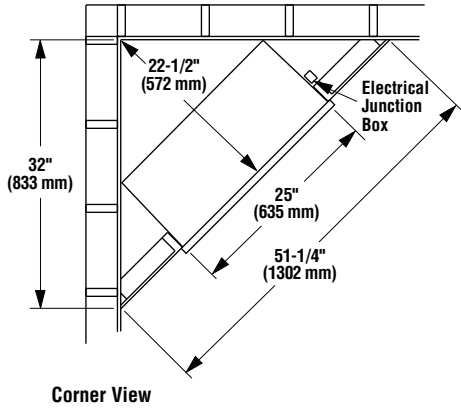


Capella™ 27

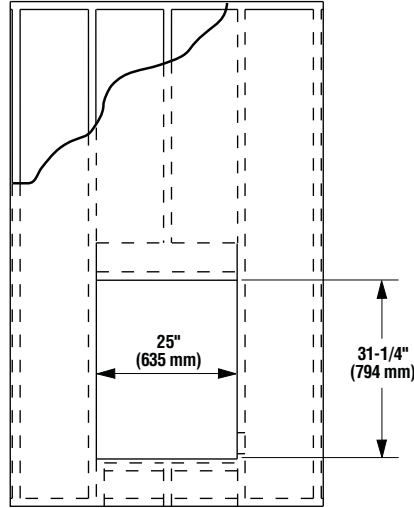
ELECTRIC FIREPLACE

Framing Dimensions

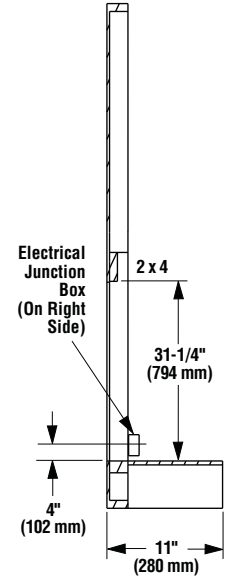


Corner View

Note: Framing dimensions are calculated for a nailing flange depth of 1/2"



Front View



Side View

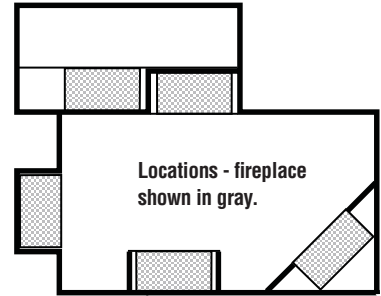
Note: Framing dimensions are calculated for an in front of the wall front face installation with finish dry wall in place.

Product Reference Information

Model: Capella™ 27
 Description: Electric Fireplaces,
 27" Radiant
 Shipping Weight: 78 lb.'s (35KG)
 Packaging:
 34 1/2" x 14" x 34"
 (876mm x 356mm x 864mm)
 14.1 cu. ft.

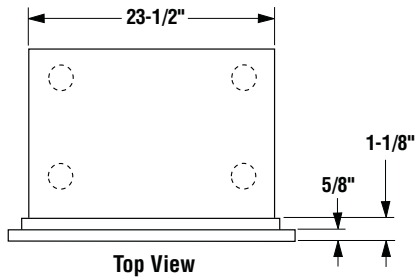
Power Requirements:
 (120 Volt, 60 Hz.)
 Rated Wattage - 1600 Watts
 Amperage - 15 Amps
 Blower CFM: 83 CFM
 (120 V): 5,461 BTU/HR

Locations

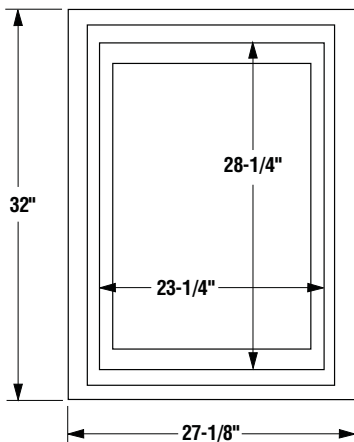


Locations - fireplace shown in gray.

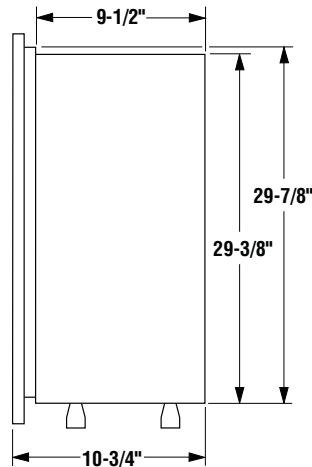
Fireplace Dimensions



Top View



Front View



Right Side

Listing



This appliance has been tested in accordance with UL 2021 and CSA C22.2 No. 46-M198 standards for fixed and location dedicated electric room heaters.

Capella™ 27

Clearances to Combustibles

Clearances - This appliance is an electric fireplace designed to be framed in with combustible materials (up to the edge of the appliance). A drywall lip at the top of the fireplace and 4 nailing flanges on the sides of the appliance is provided to facilitate installation.

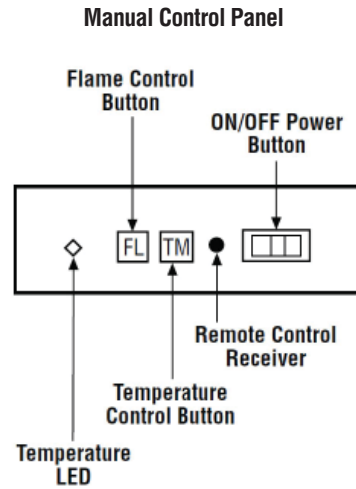
| Minimum Clearances Inches (millimeters) | |
|--|--------|
| Back | 1 (26) |
| Sides | 1 (26) |
| Top | 1 (26) |
| Floor | 1 (26) |

Mantel Clearance: Combustible and Non-combustible mantels may be installed at any height above the top of the face of fireplace.

Hearth Protection: A hearth is not required, but it is recommended for aesthetic purposes.

Fireplace Manual Controls

Controls - The Electric Fireplace is provided with an Infrared light Remote Control. All functions of the fireplace can be controlled through the remote control. Note: The Effective range of the remote control is up to approximately 26 feet (8 meters). Manual Controls are also provided on the appliance.



Standard Full Function
Infrared Light Remote Control



Fireplace Features



Standard Features

- Oak log set and glowing ember bed.
- Mirrored Glass interior.
- Adjustable flame height.
- 5000 BTU (120 V).
- Full featured remote control.
- Wall switch and thermostat ready.
- 120 V Power Cord.

Specifications and clearances are subject to change without notice. Refer to Installation Manual before installation of these appliances for updated dimensions and instructions.

Printed in U.S.A. © 2015 by Innovative Hearth Products
P/N 900586-00 REV. NC 11/2015



ELECTRIC FIREPLACE