



MARQUEE

VENT-FREE GAS FIREBOX



Traditional
Fireplace
Design Collection

TRULY

TIMELESS

astria
FIREPLACES™





SHOW YOURSELF

Create a room that begs you to stick
around, *sit down and relax.*

IN

FEATURED Marquee firebox with Ivory Herringbone Mosaic Masonry™ brick



FEATURED Marquee firebox with Ivory Herringbone Mosaic Masonry™ brick

A family of premium Vent-Free Gas Fireboxes with large viewing areas and features provides a distinctive focal point in any room.

EXCLUSIVE FEATURES

- ◆ Available in 36", 42" and 50" models
- ◆ 99.9% heating efficiency when paired with a vent-free gas log set
- ◆ Fully insulated firebox for increased performance in colder climates
- ◆ Mosaic Masonry™ brick or Estate Panels available in a variety of patterns and colors
- ◆ Includes mesh fire screens
- ◆ Dual (left hand/right hand) outside air kits available for maximum performance
- ◆ Durable textured powder coat finish
- ◆ Lifetime Limited Warranty



Engineered Mosaic Masonry™ bricks are hand grouted in the factory for ease of installation and provides the authentic look of masonry craftsmanship.

Options

INTERIOR (REQUIRED)

Mosaic Masonry™ brick available in a variety of colors and patterns.



Warm Red Herringbone



Warm Red Stacked



Ivory Herringbone



Ivory Stacked



Warm Red Split Herringbone



Warm Red Split Stacked



Ivory Split Herringbone



Ivory Split Stacked

Estate refractory panels feature large grout lines to provide the look of hand-laid brick.



Cappuccino Herringbone



Cappuccino Stacked



Creamer Herringbone



Creamer Stacked



Standard Grey Herringbone



Standard Grey Stacked



Rust Herringbone



Rust Stacked

VENT-FREE GAS LOGS

Choose from a variety of realistic vent-free gas logs.



Southern Comfort



Mixed Oak

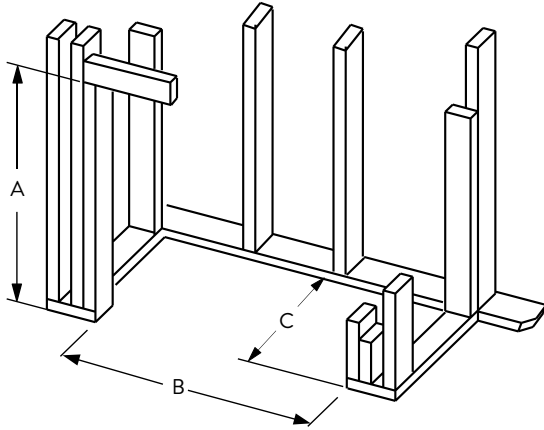


Timber Oak



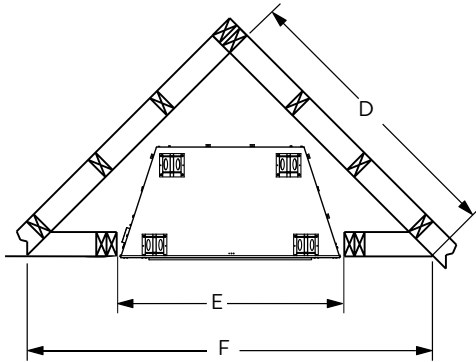
Redwood Mountain Oak

FLAT WALL FRAMING SPECIFICATIONS



| | MARQUEE 36 | MARQUEE 42 | MARQUEE 50 |
|---|------------|------------|------------|
| A | 54-5/8" | 54-5/8" | 54-5/8" |
| B | 45-3/8" | 51-3/8" | 59-3/8" |
| C | 28-1/4" | 30-1/8" | 30-1/8" |

CORNER FRAMING SPECIFICATIONS



| | MARQUEE 36 | MARQUEE 42 | MARQUEE 50 |
|---|------------|------------|------------|
| D | 61" | 65" | 71" |
| E | 45-3/8" | 51-3/8" | 59-3/8" |
| F | 86-1/2" | 92" | 100" |

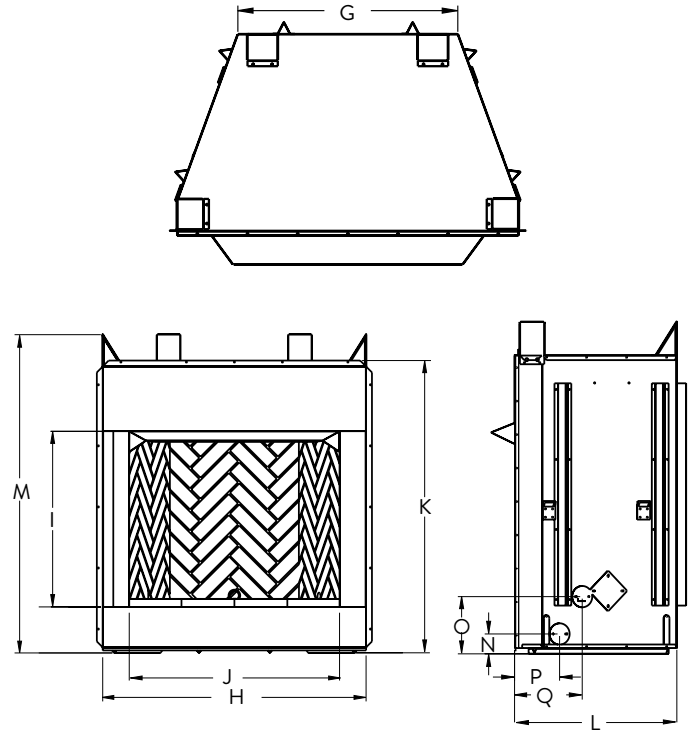
IMPORTANT NOTES:

As with any fireplace, this appliance is extremely hot during operation. Read and understand all operating instructions before using this appliance. For further information, consult your dealer.

Local conditions, such as elevation and choice of fuel will affect overall appearance of the fire and heating performance. Performance can also vary with home design and insulation, ceiling height, accessories chosen and appliance location.

Diagrams, illustrations and photographs are not to scale — consult installation instructions. Product designs, materials, dimensions, specifications, colors and prices are subject to change or discontinuance without notice.

APPLIANCE SPECIFICATIONS



| | MARQUEE 36 | MARQUEE 42 | MARQUEE 50 |
|---|------------|------------|------------|
| G | 29" | 30-5/16" | 38-5/16" |
| H | 45-1/8" | 51-1/8" | 59-1/8" |
| I | 30" | 30" | 30" |
| J | 36" | 42" | 50" |
| K | 49" | 49" | 49" |
| L | 28" | 30" | 30" |
| M | 54-1/2" | 54-1/2" | 54-1/2" |
| N | 3-5/16" | 3-5/16" | 3-5/16" |
| O | 9-7/16" | 9-7/16" | 9-7/16" |
| P | 7-3/8" | 8-3/4" | 8-3/4" |
| Q | 11-1/8" | 13" | 13" |

astria
FIREPLACES™

© 2014 Innovative Hearth Products

785444M 06/14

Visit us online



Astria.us.com

