



ORION

VENT-FREE GAS FIREBOXES





FEATURED Orion 36" Firebox with Back Bay Brown Ceramic Fiber Liners and Rich Oak Vent-Free Logs (sold separately)

ORION

The ultimate choice in vent-free firebox design, the Orion offers the style and versatility demanded by today's homeowners. Standard features include multiple interior options and heat-circulating smooth-faced models for increased performance when using a blower. The Orion readily accepts a large variety of vent-free gas logs, and is the smart choice for affordable comfort without compromise.



Orion 36" Firebox shown with White Refractory Liners & Floor and Rich Oak Vent-Free Logs (sold separately).



White Stacked Refractory Liners & Floor



Back Bay Brown Ceramic Fiber Liners

ADDITIONAL OPTIONS

- ◆ Decorative twin-pane screen door in a textured iron finish
- ◆ Single and variable speed blower kits
- ◆ J-Box kit (required for use with optional blower)
- ◆ Outside air kits
- ◆ Vent-free gas logs

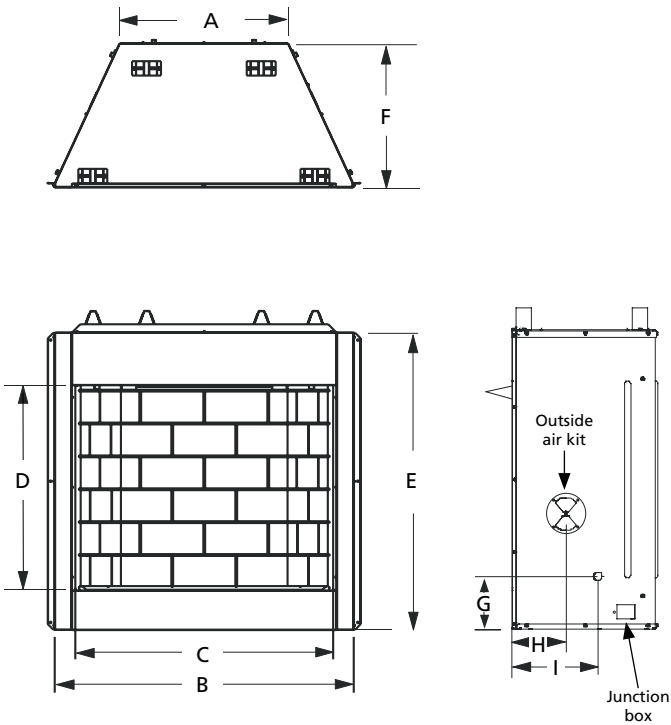


Decorative Twin-Pane Screen Door

EXCLUSIVE FEATURES

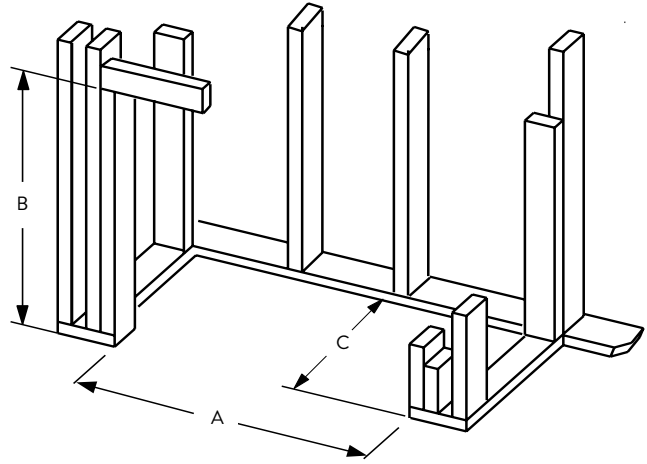
- ◆ Available in 32", 36" and 42" models with refractory liners and floor
- ◆ Available in 32", 36" and 42" models with fiber liners and black metal floor
- ◆ 32" model has a 24" tall opening and accepts most 18" vent-free gas logs
- ◆ 36" model has a 24" tall opening and accepts most 24" vent-free gas logs
- ◆ 42" model has a 24" tall opening and accepts most 30" vent-free gas logs
- ◆ All models are heat-circulating with a clean face
- ◆ Includes heat deflection hood
- ◆ Durable textured powder coat finish
- ◆ Includes mesh fire screens
- ◆ Optional precision-cut decorative twin-pane screen doors in a textured iron finish
- ◆ Optional blower kits available for all models (J-Box Kit required)
- ◆ Optional outside air kit
- ◆ Limited lifetime warranty

APPLIANCE SPECIFICATIONS



	ORION 32	ORION 36	ORION 42
A	19-1/2"	23-1/2"	29-1/2"
B	37-3/4"	41-3/4"	47-3/4"
C	33"	36"	42"
D	24"	24"	24"
E	37-1/4"	37-1/4"	37-1/4"
F	20"	20"	20"
G	7-3/8"	7-3/8"	7-3/8"
H	7-1/2"	7-1/2"	7-1/2"
I	12"	12"	12"

FRAMING SPECIFICATIONS



	ORION 32	ORION 36	ORION 42
A	38-1/4"	42-1/4"	48-1/4"
B	40-1/4"	40-1/4"	40-1/4"
C	20-1/2"	20-1/2"	20-1/2"

INTERIOR FIREBOX DIMENSIONS*

	ORION 32	ORION 36	ORION 42
FRONT WIDTH	31"	35"	41"
REAR WIDTH	19-1/4"	23-1/4"	29-1/4"
DEPTH	17-3/8"	17-3/8"	17-3/8"
HEIGHT	24"	24"	24"

* To assist with compatible log size selection

IMPORTANT NOTES:

As with any fireplace, this appliance is extremely hot during operation. Read and understand all operating instructions before using this appliance. For further information, consult your dealer.

Local conditions, such as elevation, wind, vent configuration and choice of fuel will affect overall appearance of the fire and heating performance. Performance can also vary with home design and insulation, climate, condition and type of fuel used, appliance location, burn rate, accessories chosen, chimney installation and how the appliance is operated.

Diagrams, illustrations and photographs are not to scale—consult installation instructions. Product designs, materials, dimensions, specifications, colors and prices are subject to change or discontinuance without notice.

astria
FIREPLACES®

© 2017 Innovative Hearth Products
785696M 06/17

Visit us online
Astria.us.com

PFS[®] US NFI
Report #F14-168