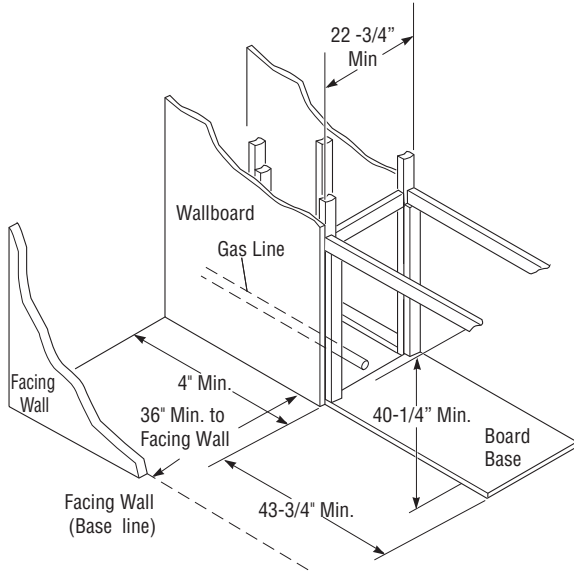


TAURUS™ PF SERIES

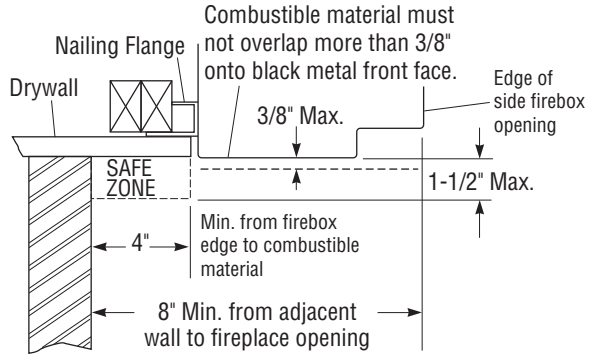
VENT-FREE UNIVERSAL PENINSULA FIREBOXES

Framing for Built-In Firebox Installation

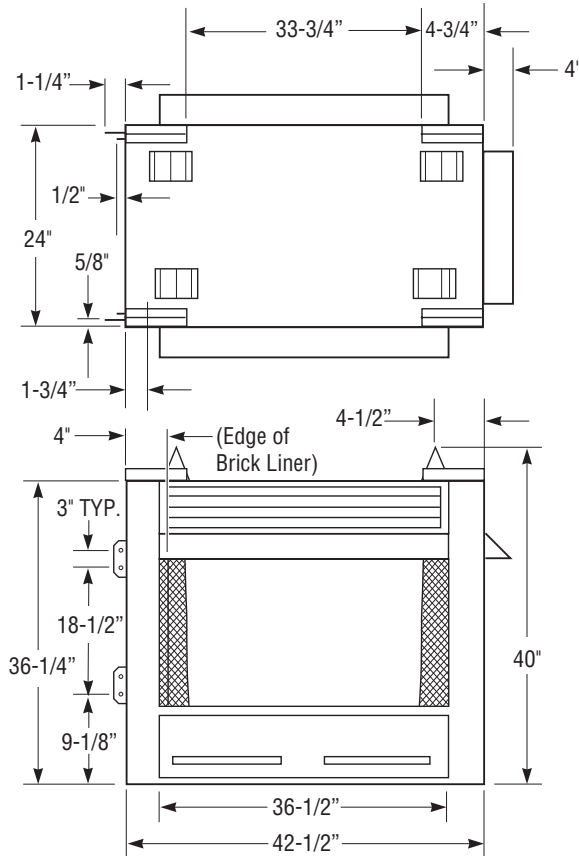
Framing Dimensions



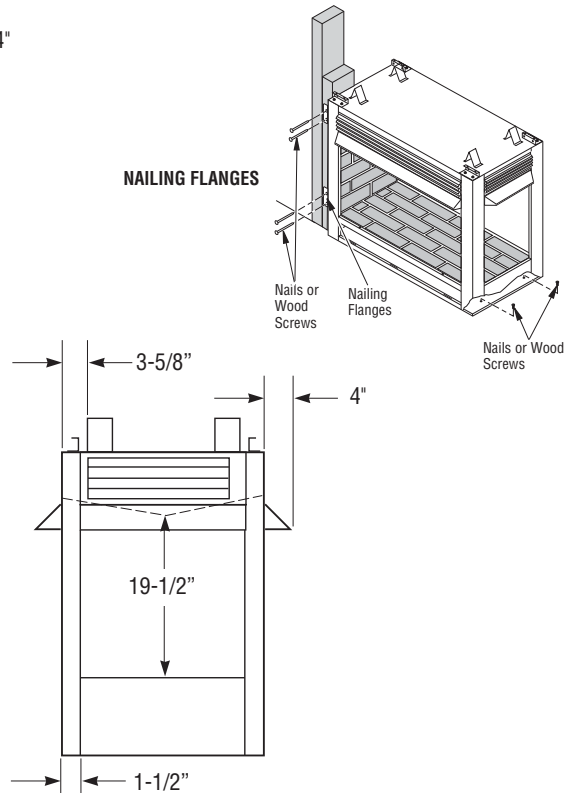
Framing for Built-In Firebox Installation, Top View



Fireplace Dimensions



NAILING FLANGES



Diagrams, illustrations and photographs are not to scale. Consult installation instructions. Product designs, materials, dimensions, specifications, colors, and prices are subject to change or discontinuance without notice.

NOTE: DIAGRAMS & ILLUSTRATIONS ARE NOT TO SCALE.

TAURUS™ PF

Product Information

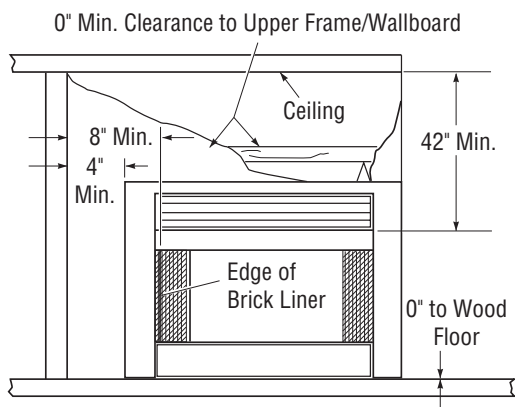
Cat. No.	Model	Description	Ship. Weight	Shipping Volume
F0384	TaurusPF22	Flush Faced	146 lb.s	26.7 Cu. Ft.

Listing Information



Report No. F09-130

These appliances comply with National Safety Standards and are listed by PFS Corporation to ANSI Z21.91 Ventless Firebox Enclosures for Gas-Fired Unvented Decorative Room Heaters and is approved for use with appliances listed to ANSI Z21.11.2 decorative type unvented room heaters.

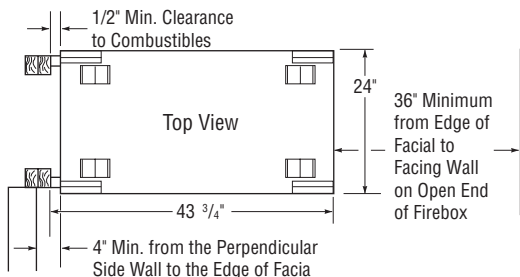


INSTALLATION CLEARANCES

CAUTION: Use only the clearances specified in Installation and Operation manual or on the firebox rating plate.

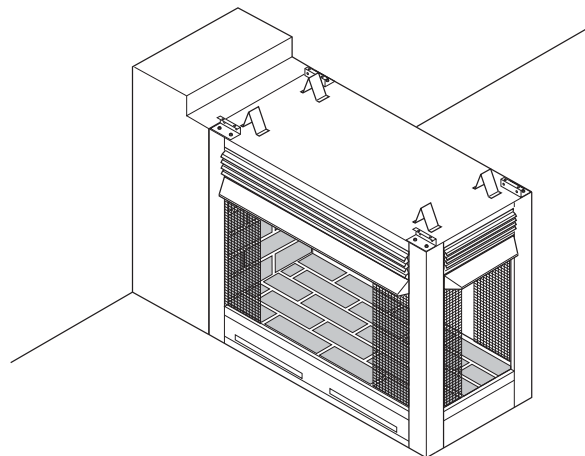
Minimum clearances to combustibles are:	
Sides of outer casing	0" min.
Drywall to sides and top of front face	0" min.
Ceiling to opening	42" min.
Floor CAUTION: Do not install the firebox directly on carpet or vinyl.	0" min.
Perpendicular walls, Right and Left	4" min.
Distance to Facing Walls	36" min.

Clearances



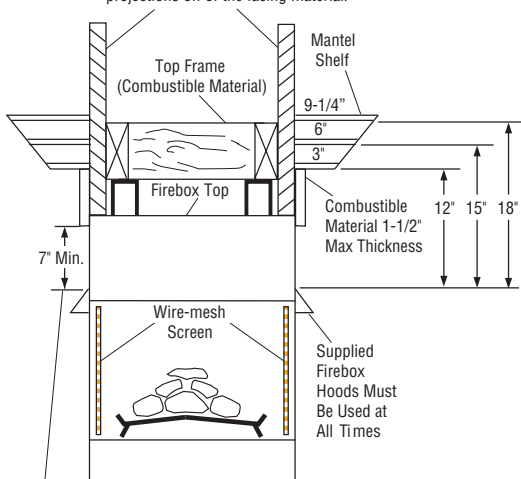
PROJECTED INSTALLATION

Projected installations can extend any distance into the room. A projection may be ideal as a partition between two otherwise common areas when added to an existing, finished wall.



Minimum Mantel Clearances

Wall board or facing material (above firebox) may be of combustible material, including decorative mantel ornaments or other similar projections off of the facing material.



NOTE: Fireplace shown as cross-section for clarity. Mantel material may not be less than 7" from top of hood. Do not cover louver openings.