



# POLARIS

VENT-FREE GAS FIREPLACE SYSTEMS  
OUTDOOR



*Traditional*  
Fireplace  
Design Collection



*FEATURED Polaris shown with White Stacked Refractory Panel*

## **POLARIS**

The pleasure of an outdoor fireplace, the contemporary look of stainless steel and easy installation come together in the elegant Polaris Vent-Free Gas Fireplaces from Astria. The clean and sophisticated stainless steel exterior complements outdoor kitchens and furnishings and provides weather resistance for years of carefree enjoyment. The powerful 50,000 BTU fire produces warmth and comfort outside. There is no need for a chimney, so outdoor views are unobstructed. The detailed charred oak campfire style log set, tall dancing flames, deep red glow and realistic lava rock ember bed all add to the realism.

## Options

### Interior (Required)

Choose from *White Stacked* or *White Herringbone* Refractory Panels.

#### ADDITIONAL OPTIONS

- ✦ Stainless steel drain pan
- ✦ Stainless steel hood



*White Stacked*



*White Herringbone*

### Exterior (Optional)



*Bi-Fold Glass Doors and Hood*

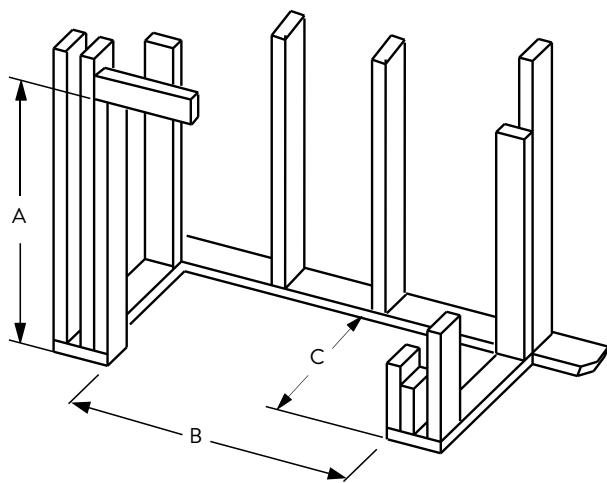


*Stainless Steel Weather Cover*

## EXCLUSIVE FEATURES

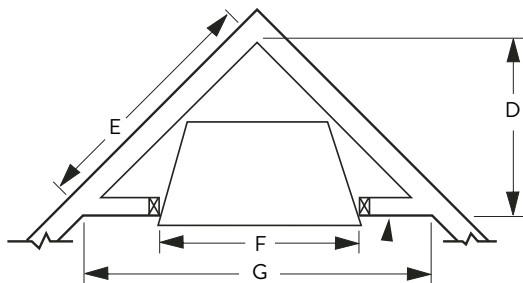
- ✦ Available in 36" and 42" radiant smooth-faced models
- ✦ Battery operated electronic ignition
- ✦ Random, dancing yellow flames with realistic lava rock ember bed
- ✦ High definition ceramic fiber log set
- ✦ White refractory panels in stacked or herringbone patterns
- ✦ Heavy duty stainless steel log grate with burner and concealed gas control valve
- ✦ Stainless steel screens
- ✦ Bi-fold glass doors, hood and weather cover
- ✦ Stainless steel construction for long lasting outdoor use
- ✦ Lifetime Limited Warranty

## FLAT WALL FRAMING SPECIFICATIONS



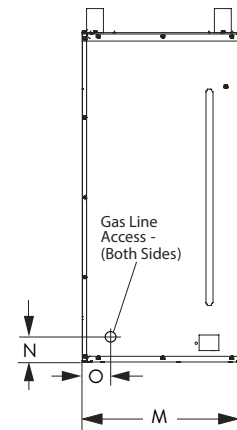
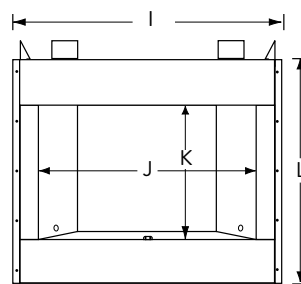
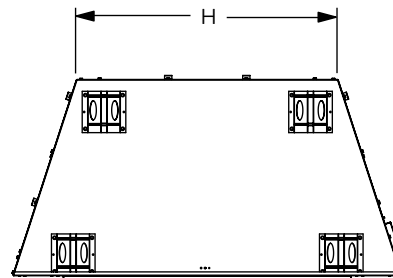
	POLARIS 36	POLARIS 42
A	46-1/2"	46-1/2"
B	42-3/4"	48-3/4"
C	20-1/2"	20-1/2"

## CORNER FRAMING SPECIFICATIONS



	POLARIS 36	POLARIS 42
D	31-3/4"	34-3/4"
E	44-3/16"	49-1/8"
F	42-3/4"	48-3/4"
G	63-1/2"	69-1/2"

## APPLIANCE SPECIFICATIONS



	POLARIS 36	POLARIS 42
H	23-1/2"	29-1/2"
I	41-3/4"	47-3/4"
J	37"	43"
K	28-1/2"	28-1/2"
L	41-5/16"	41-5/16"
M	20"	20"
N	1-3/4"	1-3/4"
O	4-3/8"	4-3/8"

## FIREPLACE BTU OPERATING RANGE

MODEL	FUEL	BTU/HR
POLARIS 36	NG	39,500-50,000
POLARIS 36	LP	37,000-46,000
POLARIS 42	NG	39,500-50,000
POLARIS 42	LP	37,000-46,000

### IMPORTANT NOTES:

As with any fireplace, this appliance is extremely hot during operation. Read and understand all operating instructions before using this appliance. For further information, consult your dealer.

Local conditions, such as elevation and choice of fuel will affect overall appearance of the fire and heating performance. Performance can also vary with home design and insulation, ceiling height, accessories chosen and appliance location.

Diagrams, illustrations and photographs are not to scale — consult installation instructions. Product designs, materials, dimensions, specifications, colors and prices are subject to change or discontinuance without notice.

**astria**  
FIREPLACES™

© 2015 Innovative Hearth Products

785474M 01/15

Visit us online



Astria.us.com

**PFS**  
C US  
Report #F14-020

