



VALIANT

VENT-FREE GAS  
OUTDOOR

*Traditional*  
Fireplace  
Design Collection

TRULY

TIMELESS

astria  
FIREPLACES™



*FEATURED Valiant firebox with White Herringbone Refractory Panels*

## **VALIANT**

The Valiant's tall opening, and flush-to-the-floor platform are welcome features to anybody familiar with real site-built masonry fireplaces. The refractory panels with "split" brick profile are molded from actual hand-cut firebrick in traditional stacked and herringbone patterns. Then they're individually cast and hand detailed to enhance the glow of active flames.

**Interior (Required)**

Choose from White Stacked or White Herringbone Refractory Panels.



White Stacked



White Herringbone



*Southern Comfort Outdoor Vent-Free Gas Log Set*

**EXCLUSIVE FEATURES**

- 
- ✦ Available in 32", 36" and 42" models

---

  - ✦ Flush hearth floor design (hearth spacer not required for combustible floor installation)

---

  - ✦ White Refractory Panels available in stacked and herringbone patterns

---

  - ✦ Stainless steel construction for long lasting outdoor use

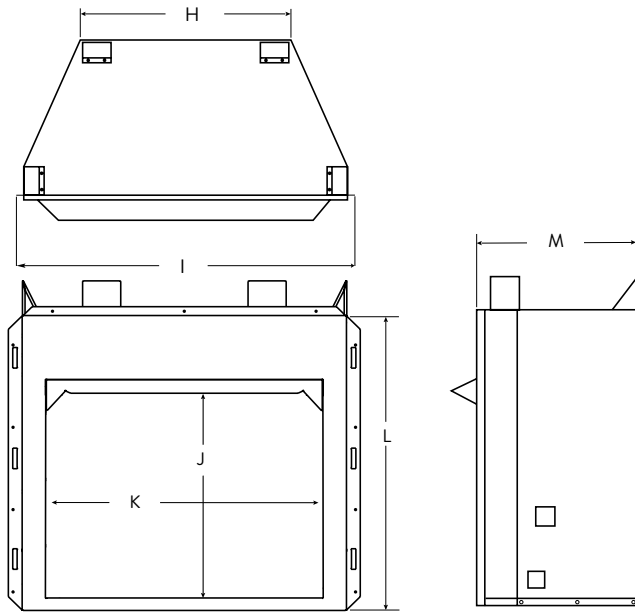
---

  - ✦ Stainless steel mesh fire screens

---

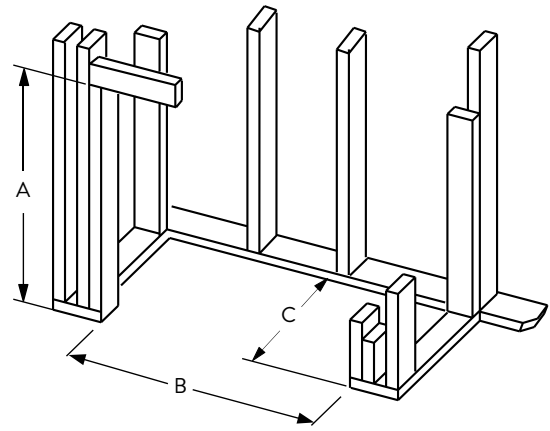
  - ✦ Lifetime limited warranty
-

## APPLIANCE SPECIFICATIONS



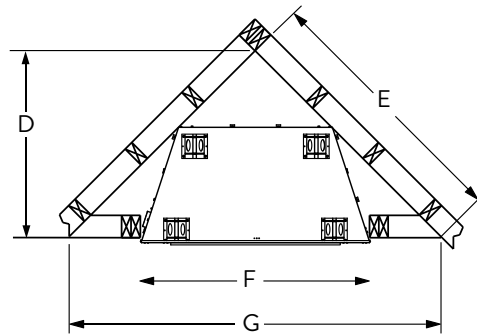
	VALIANT 32	VALIANT 36	VALIANT 42
H	22-7/16"	29-1/8"	36-1/8"
I	34-1/2"	41-1/8"	48-1/4"
J	23-7/8"	26-3/4"	29-5/8"
K	29-1/2"	35"	42"
L	32-1/4"	36-1/8"	40"
M	16-5/8"	21-1/8"	23-1/16"

## FLAT WALL FRAMING SPECIFICATIONS



	VALIANT 32	VALIANT 36	VALIANT 42
A	36-3/4"	40-1/2"	44-1/2"
B	35-7/8"	42-1/2"	49-5/8"
C	16-1/4"	20-3/4"	22-5/8"

## CORNER FRAMING SPECIFICATIONS



	VALIANT 32	VALIANT 36	VALIANT 42
D	30"	37"	43"
E	42-7/16"	52"	61"
F	35-7/8"	42-1/2"	49-5/8"
G	60"	74"	86"

### IMPORTANT NOTES:

As with any fireplace, this appliance is extremely hot during operation. Read and understand all operating instructions before using this appliance. For further information, consult your dealer.

Local conditions, such as elevation and choice of fuel will affect overall appearance of the fire and heating performance. Performance can also vary with home design and insulation, ceiling height, accessories chosen and appliance location.

Diagrams, illustrations and photographs are not to scale — consult installation instructions. Product designs, materials, dimensions, specifications, colors and prices are subject to change or discontinuance without notice.

**astria**  
FIREPLACES™

© 2014 Innovative Hearth Products

785483M 06/14

Visit us online



Astria.us.com

