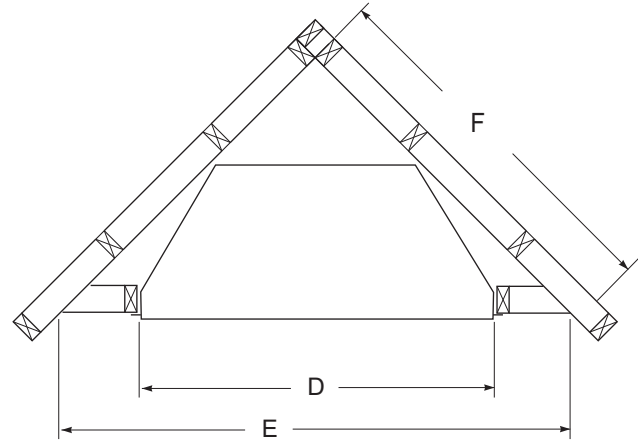
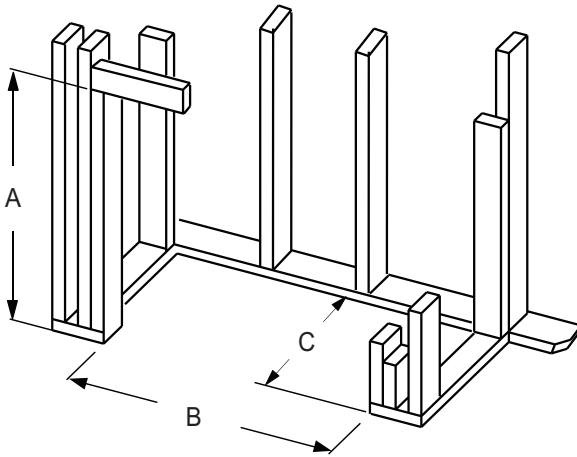


# VALIANT™ OD 32 SERIES

## OUTDOOR VENT-FREE FIREBOXES

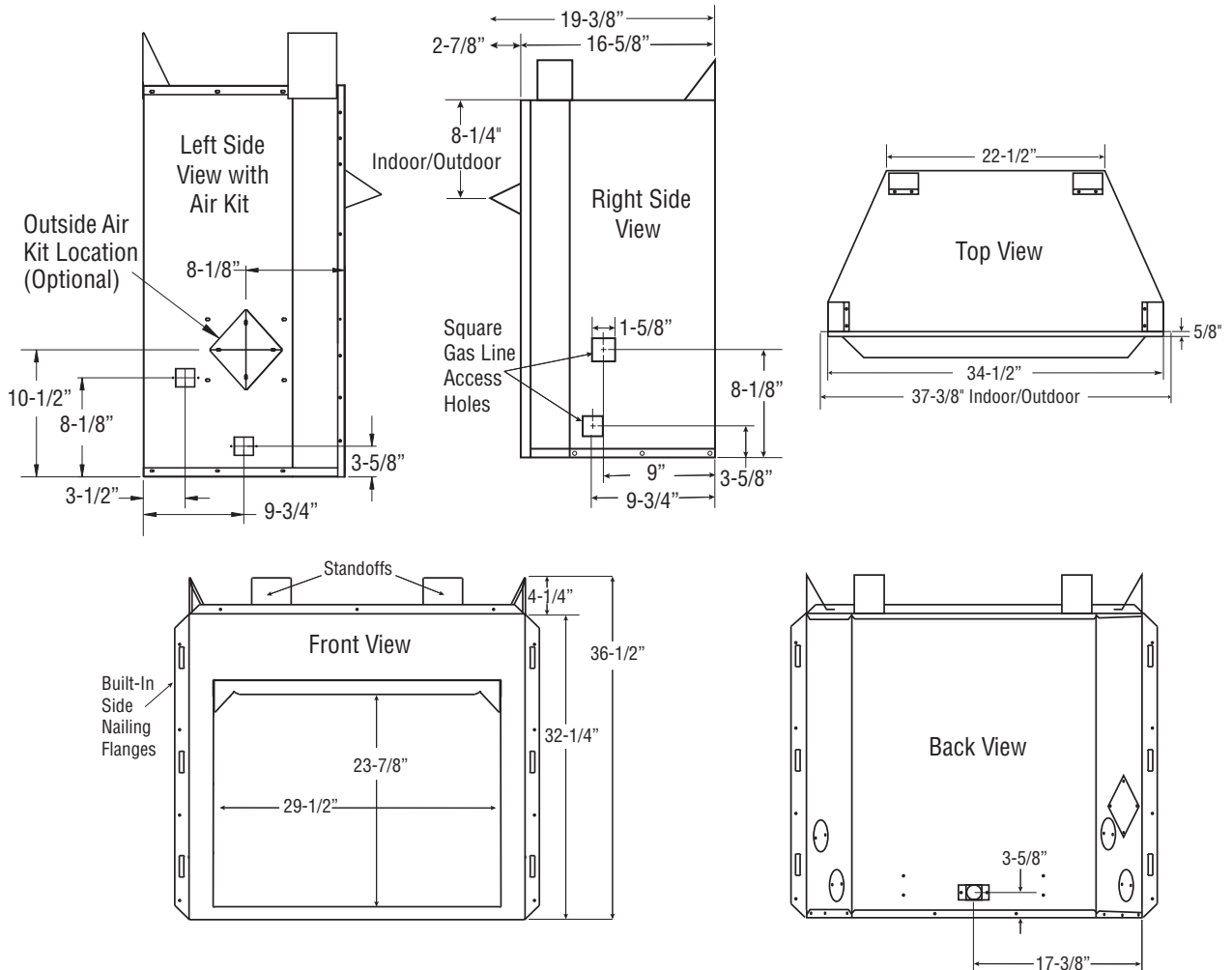
Framing Dimensions



Models	A	B	C
32" Models	36-3/4" 935 mm	35-7/8" 912 mm	16-1/4" 413 mm

Models	D	E	F
32" Models	35-7/8" 912 mm	60" 1524 mm	42-1/2" 1080 mm

Fireplace Dimensions



# VALIANT™ OD 32 SERIES

Product Information

Cat. No.	Model	Refractory	Weight	Cu. Ft.
F0549	ValiantOD32P2	White Stacked	104 lb	14
F0550	ValiantOD32P3	White Herringbone	104 lb	14

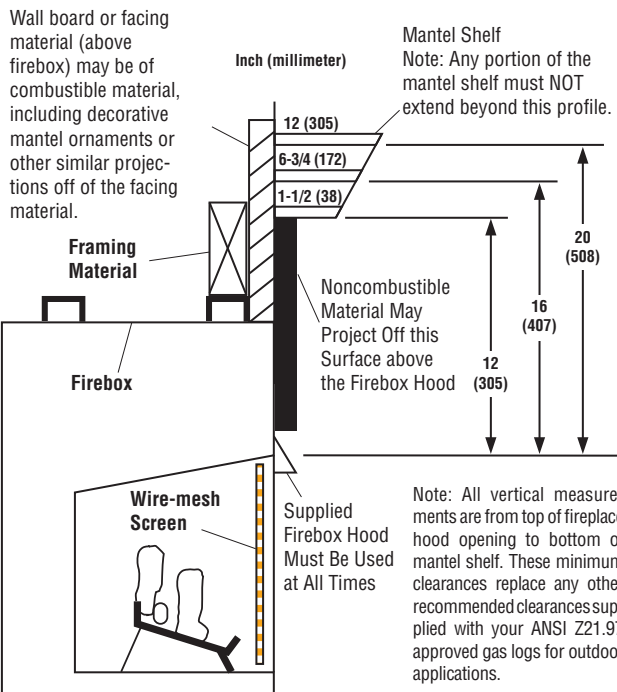
Listing Information



Report No. F09-130

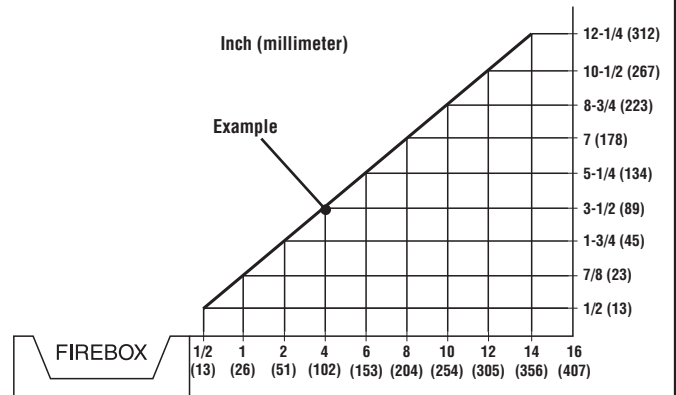
These appliances comply with National Safety Standards and are listed by PFS Corporation to ANSI Z21.91 Ventless Firebox Enclosures for Gas-Fired Unvented Decorative Room Heaters and is approved for use with gas logs listed to ANSI Z21.97 for outdoor applications.

Clearances

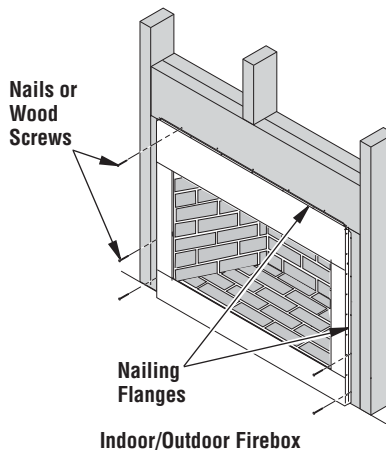


### Minimum Wall and Ceiling Clearances (see figure below)

- Clearances from the side of the fireplace cabinet to any combustible material and wall should follow diagram shown here.  
Example: The face of a mantel, bookshelf, etc. is made of combustible material and protrudes 3-1/2" from the wall. This combustible material must be 4" from the side of the fireplace cabinet.
- Clearances from the top of the firebox opening to the ceiling should not be less than 42".
- When the firebox is installed directly on carpeting, vinyl tile or other combustible material, other than wood flooring, the firebox should be installed on a metal or wood panel extending the full width and depth of the enclosure.
- Clearances from the bottom of firebox to the floor is 0".



Nailing Flanges



NOTE: DIAGRAMS & ILLUSTRATIONS ARE NOT TO SCALE.

Printed in U.S.A. © 2016 Innovative Hearth Products  
P/N 900667-04 REV. NC 06/2016

Specifications and clearances are subject to change without notice. Refer to Installation Manual before installation of these appliances for updated dimensions and instructions.

Page 2 of 2