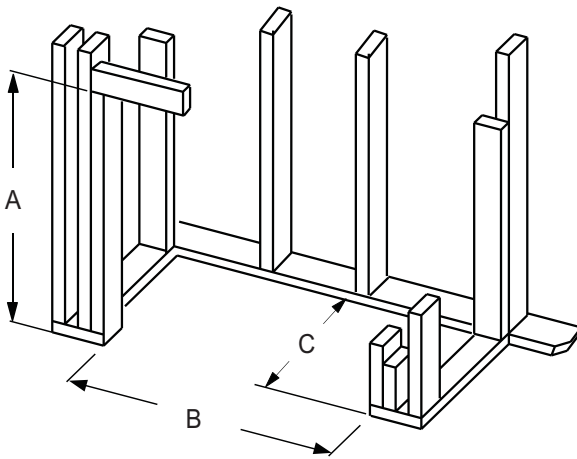


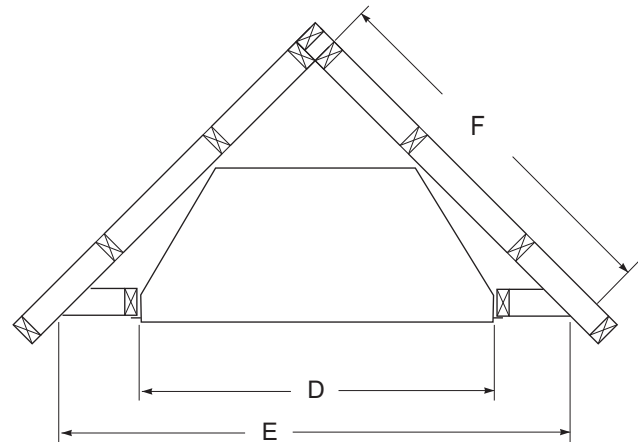
VALIANT™ OD 36 AND 42 SERIES

OUTDOOR VENT-FREE FIREBOXES

Framing Dimensions

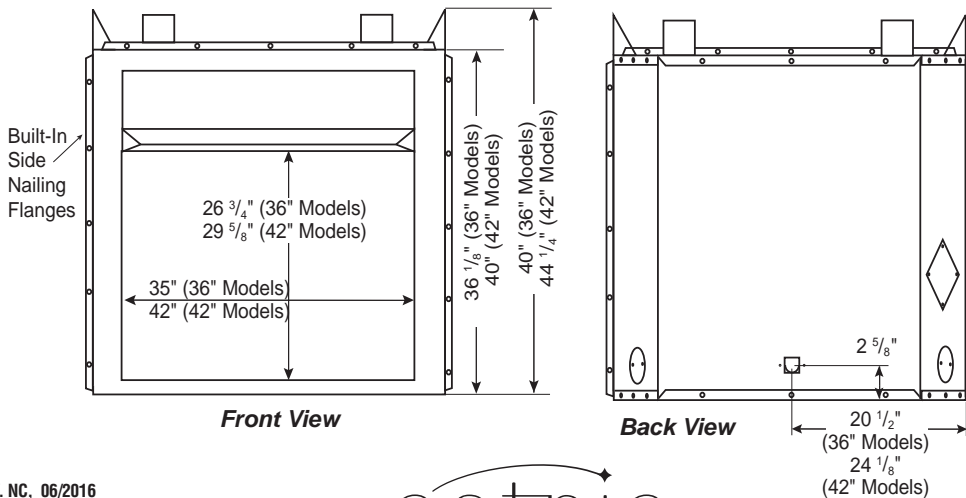
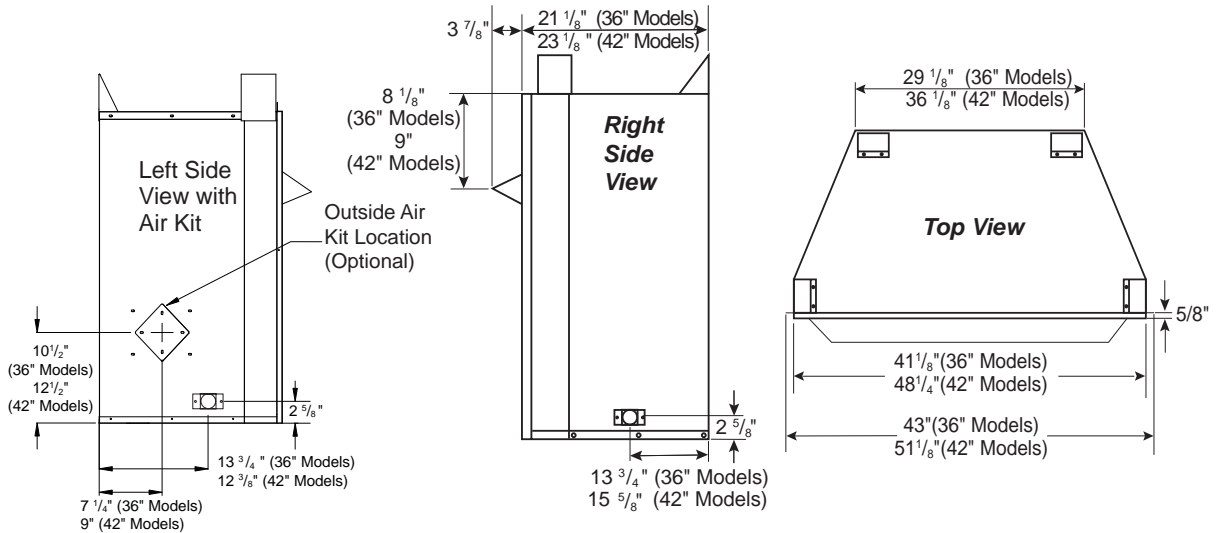


Models	A	B	C
36" Models	40-1/2" 1029 mm	42-1/2" 1080 mm	20-3/4" 527 mm
42" Models	44-1/2" 1130 mm	49-5/8" 1083 mm	22-5/8" 575 mm



Models	D	E	F
36" Models	42-1/2" 1080 mm	74" 1880 mm	52" 1321 mm
42" Models	49-5/8" 1083 mm	86" 2185 mm	61" 1550 mm

Fireplace Dimensions



VALIANT™ OD 36 AND 42 SERIES

Product Information

Cat. No.	Model	Refractory	Weight	Cu. Ft.
F0551	ValiantOD36P2	White Stacked	184 lb	17.6
F0552	ValiantOD36P3	White Herringbone	184 lb	17.6
F0553	ValiantOD42P2	White Stacked	224 lb	24.8
F0554	ValiantOD42P3	White Herringbone	224 lb	24.8

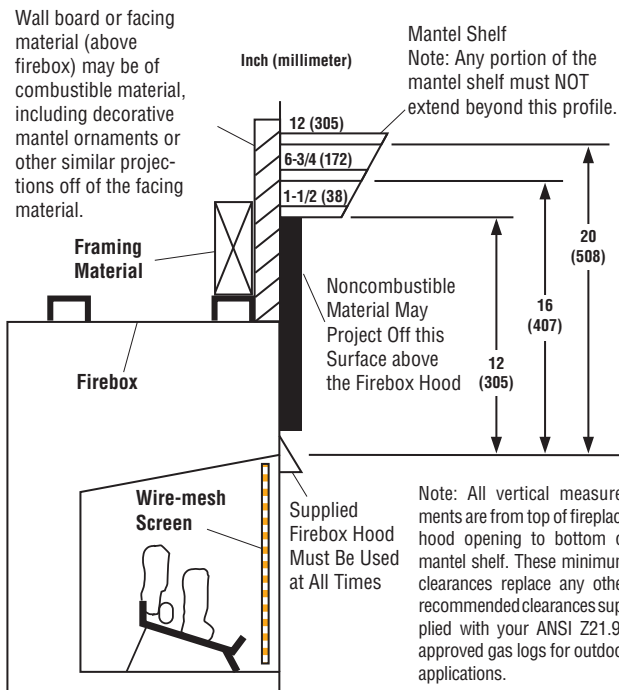
Listing Information



Report No. F09-130

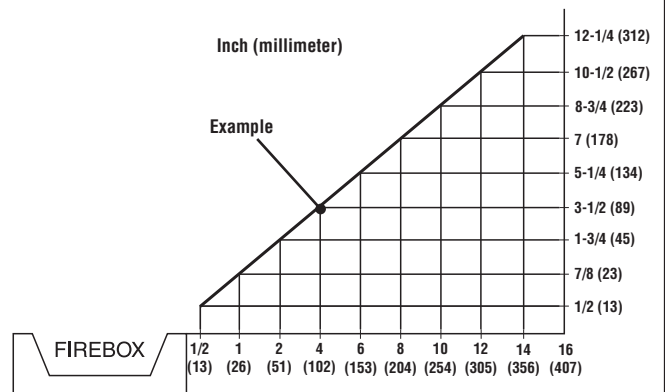
These appliances comply with National Safety Standards and are listed by PFS Corporation to ANSI Z21.91 Ventless Firebox Enclosures for Gas-Fired Unvented Decorative Room Heaters and is approved for use with gas logs listed to ANSI Z21.97 for outdoor applications.

Clearances

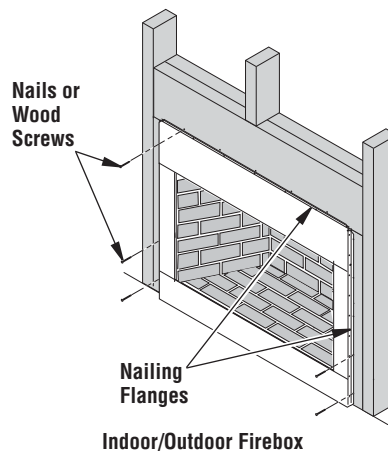


Minimum Wall and Ceiling Clearances (see figure below)

- Clearances from the side of the fireplace cabinet to any combustible material and wall should follow diagram shown here.
Example: The face of a mantel, bookshelf, etc. is made of combustible material and protrudes 3-1/2" from the wall. This combustible material must be 4" from the side of the fireplace cabinet.
- Clearances from the top of the firebox opening to the ceiling should not be less than 42".
- When the firebox is installed directly on carpeting, vinyl tile or other combustible material, other than wood flooring, the firebox should be installed on a metal or wood panel extending the full width and depth of the enclosure.
- Clearances from the bottom of firebox to the floor is 0".



Nailing Flanges



NOTE: DIAGRAMS & ILLUSTRATIONS ARE NOT TO SCALE.

Printed in U.S.A. © 2016 Innovative Hearth Products
P/N 900667-05 REV. NC 06/2016



Specifications and clearances are subject to change without notice. Refer to Installation Manual before installation of these appliances for updated dimensions and instructions.