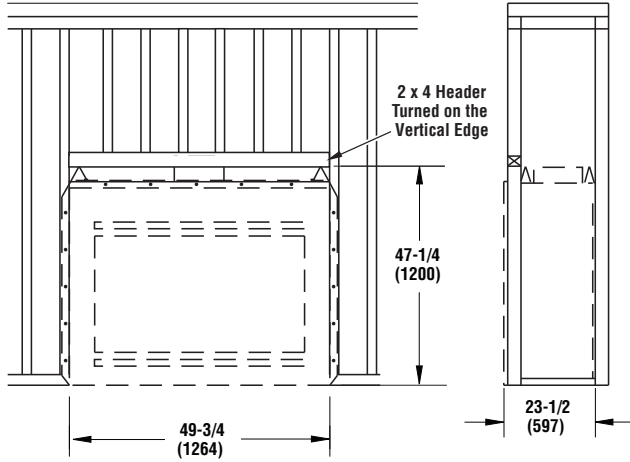


# TUSCAN™ 42 SERIES

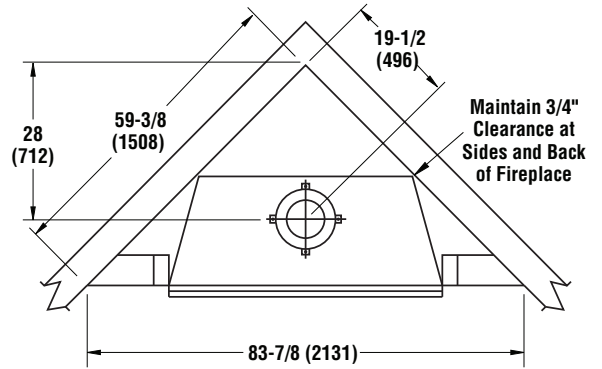
## RESIDENTIAL AND OUTDOOR WOOD-BURNING FIREPLACES

Framing Dimensions



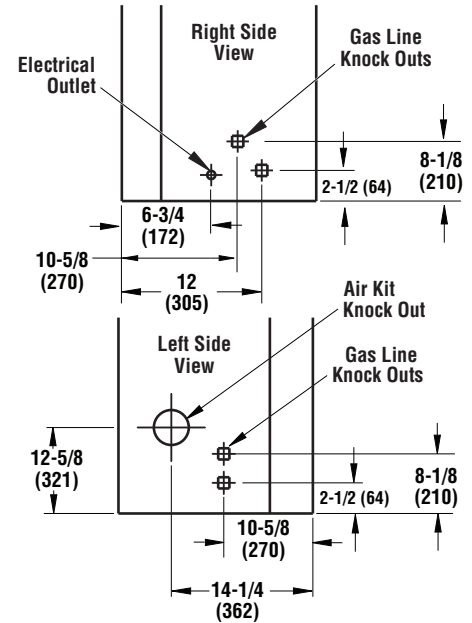
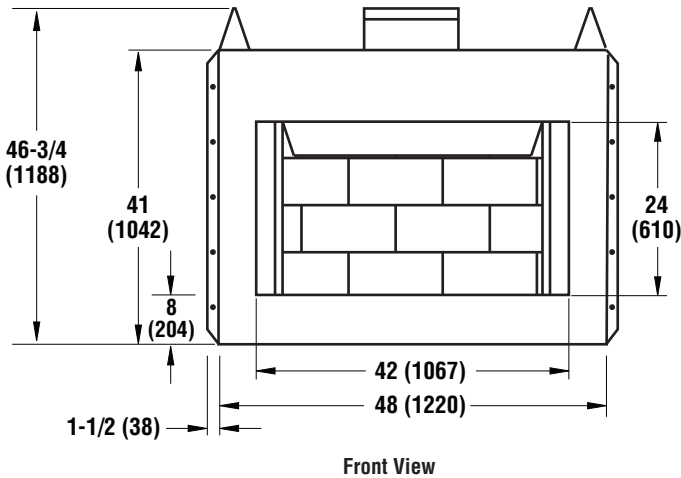
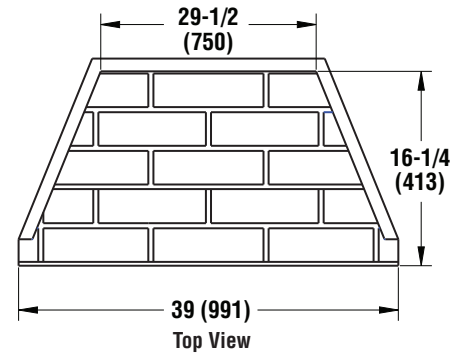
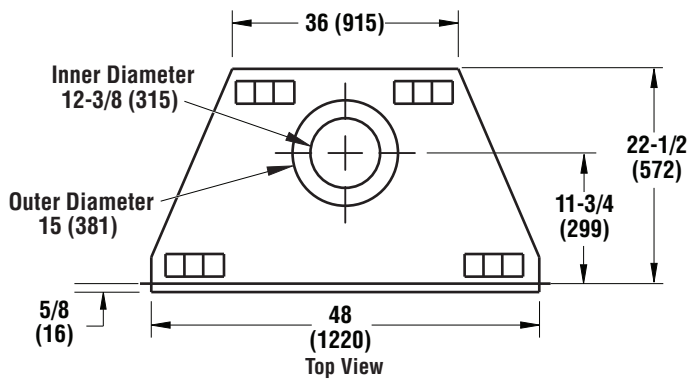
Parallel Framing Dimensions

Inches (millimeters)



Corner Framing Dimensions

Fireplace Dimensions



Inches (millimeters)

# TUSCAN™ 42 SERIES

Product Information

Product Reference Information				
Cat. No.	Model	Interior	Shipping Weight	Shipping Volume
F0542	Tuscan42P2	WS	224 lb.	32 cu. ft.
F0543	Tuscan42P3	WH	224 lb.	32 cu. ft.

Listing Information



Report No. 10-078

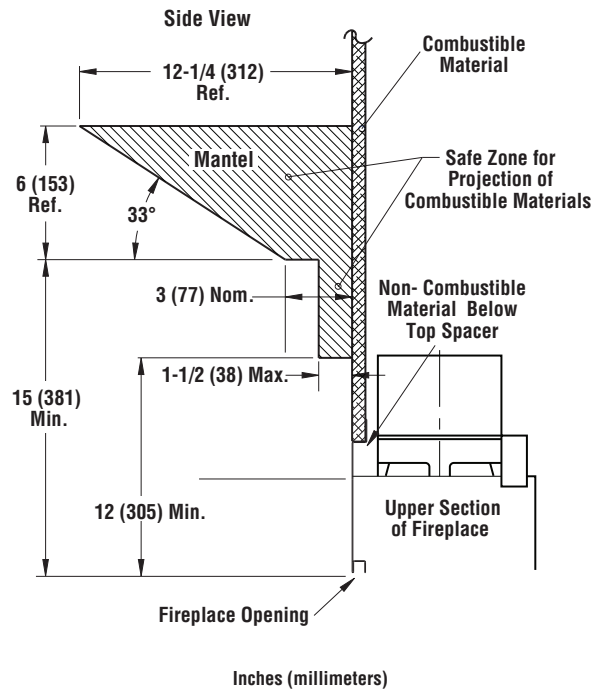
This firebox has been tested and approved by PFS Corporation under UL127/ ULC-S610 standard as a Factory Built Appliance and may be used with gas logs approved to ANSI Z21.60, Z21.84 or Z21.11.2 standards.

Clearances to Combustibles	
Description	Min. Clearance
Back and sides of fireplace	3/4 (19)*
Floor	0 (0)**
Perpendicular wall to opening	12 (305)
Top spacers	0 (0)
Chimney outer pipe surface	1 (26)

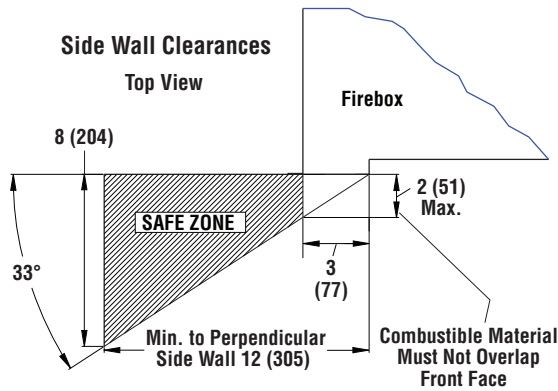
\* Not required at nailing flanges

\*\* See step 2 of Framing in the Installation and Operation Manual

## Mantel Clearances



Clearances



Venting

## Venting

Uses 8" Standard Wood-Burning Chimney (8DM) - USA

Uses 8" Hi-Temp Wood-Burning Chimney (8HT)- Canada

